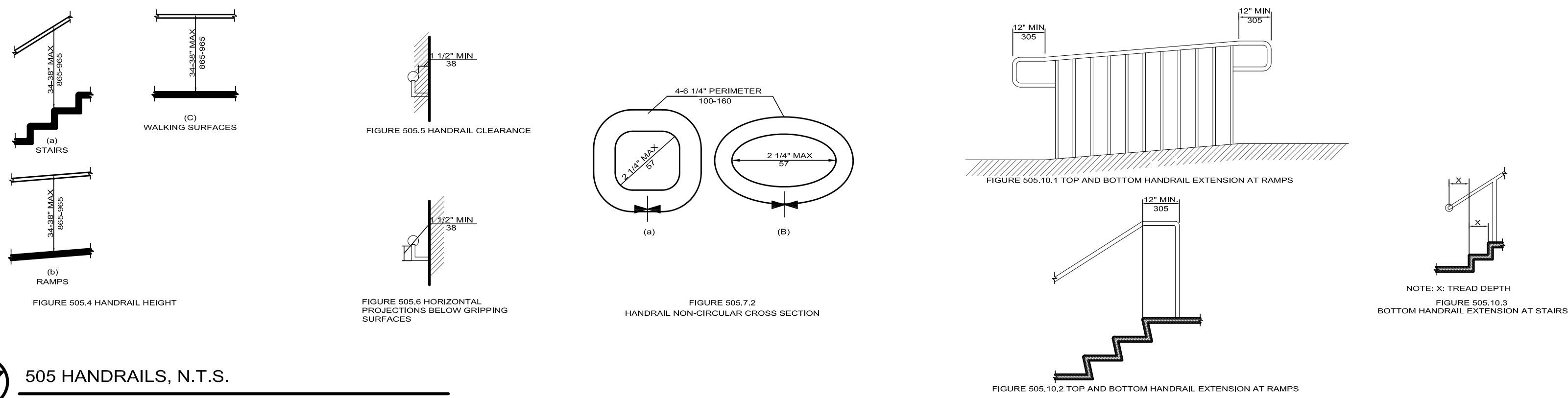
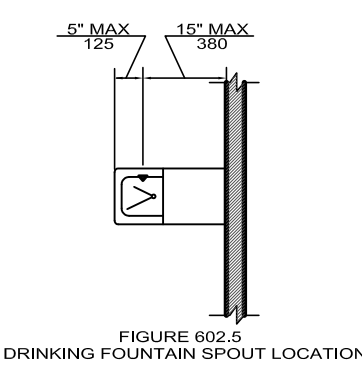


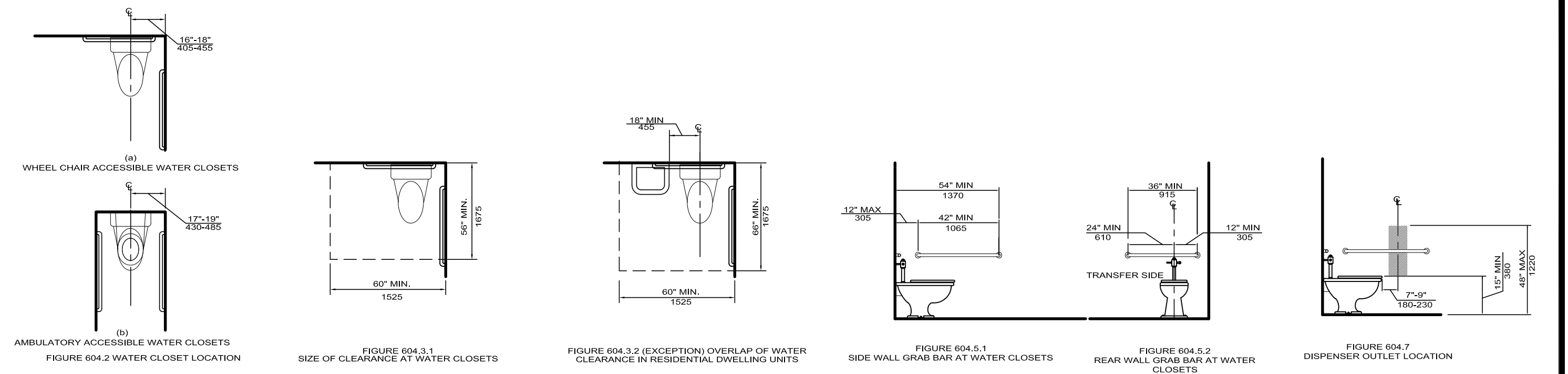
17 505 HANDRAILS, N.T.S.



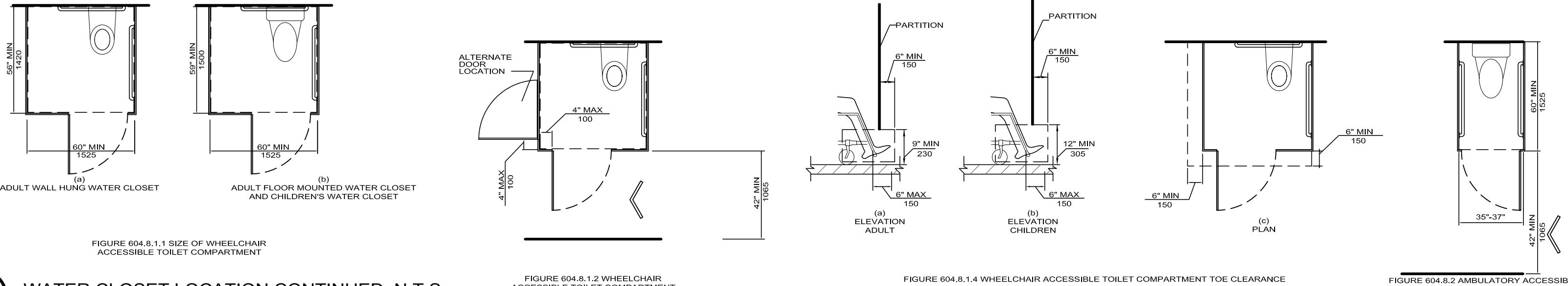
18 602 DRINKING FOUNTAINS, N.T.S.



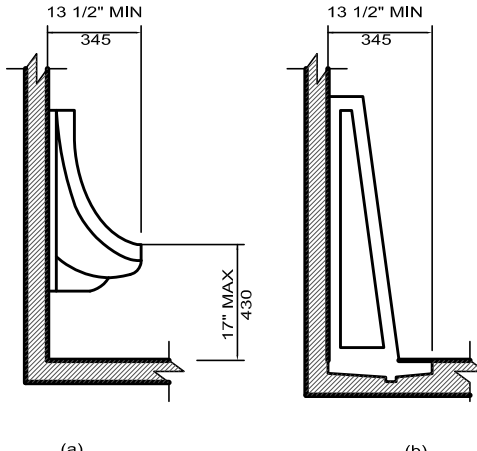
19 604 WATER CLOSET LOCATION, N.T.S.



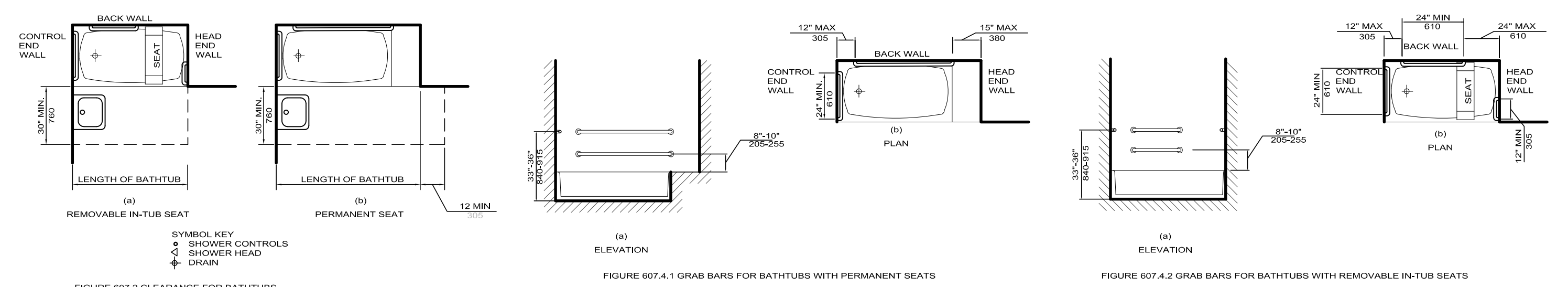
19 WATER CLOSET LOCATION CONTINUED, N.T.S.



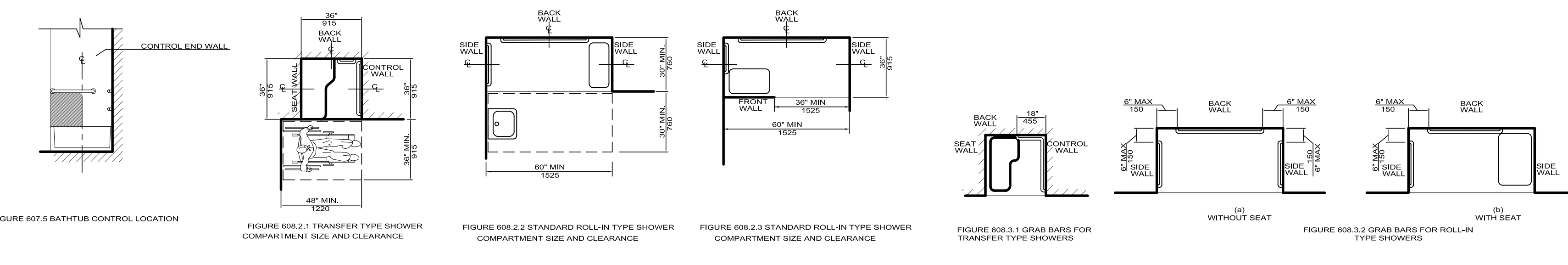
20 605 URINALS, N.T.S.



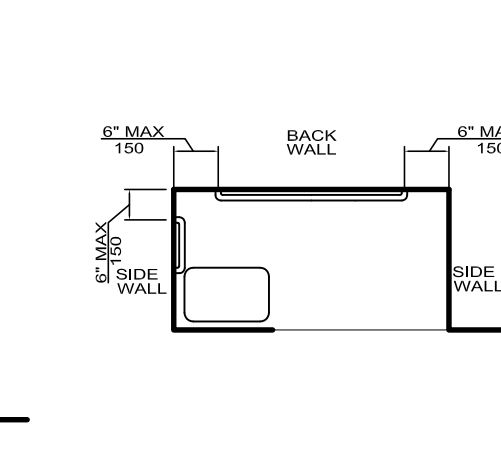
21 607 BATHTUBS, N.T.S.



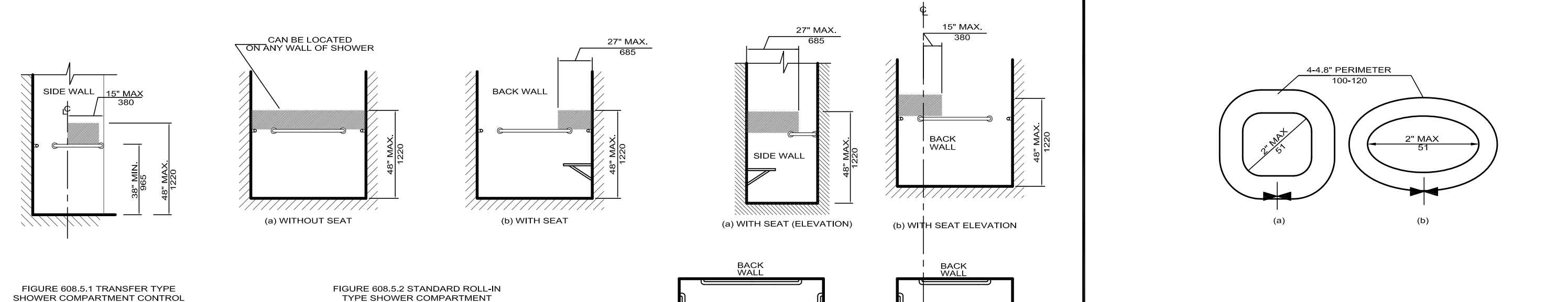
21 BATHTUBS CONTINUED, N.T.S.



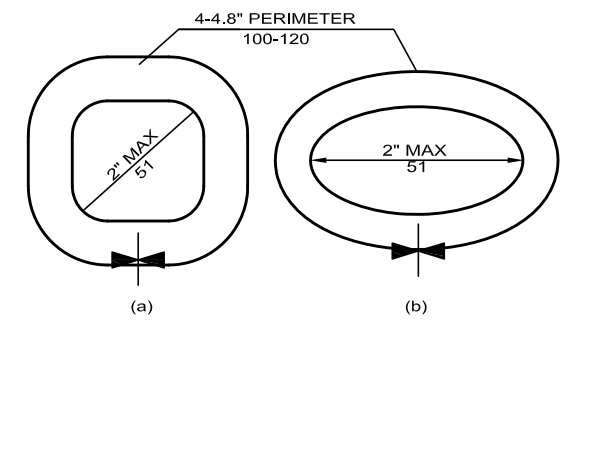
20 605 URINALS, N.T.S.



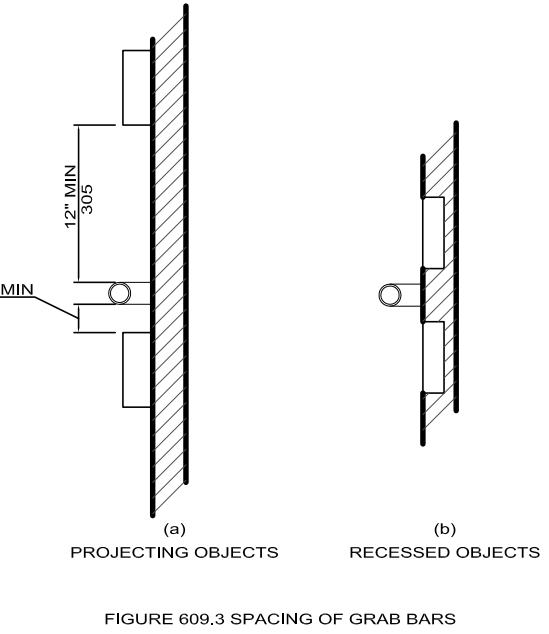
21 607 BATHTUBS, N.T.S.



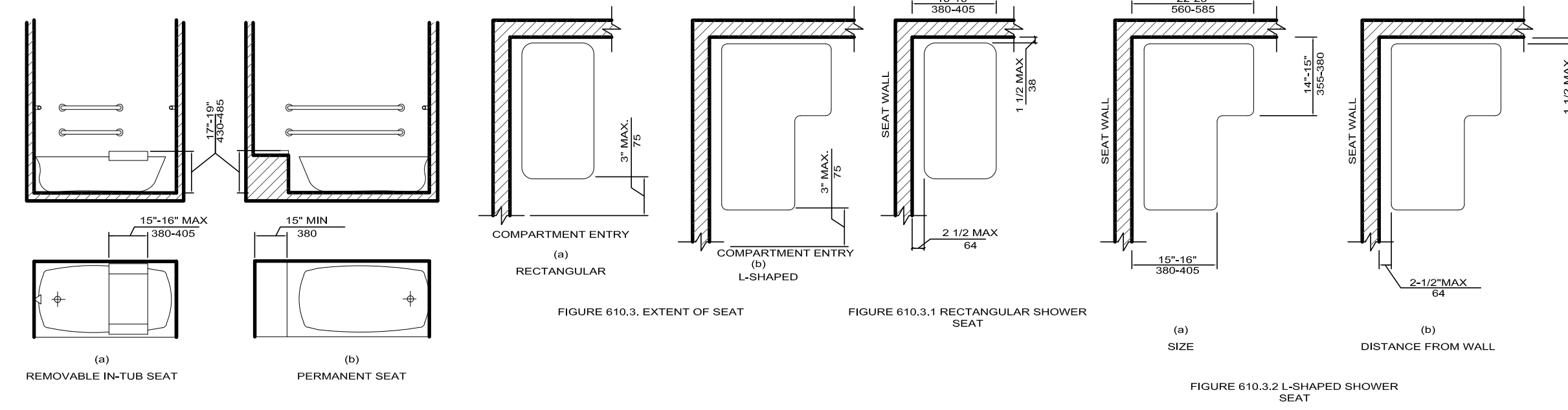
22 609 GRAB BARS, N.T.S.



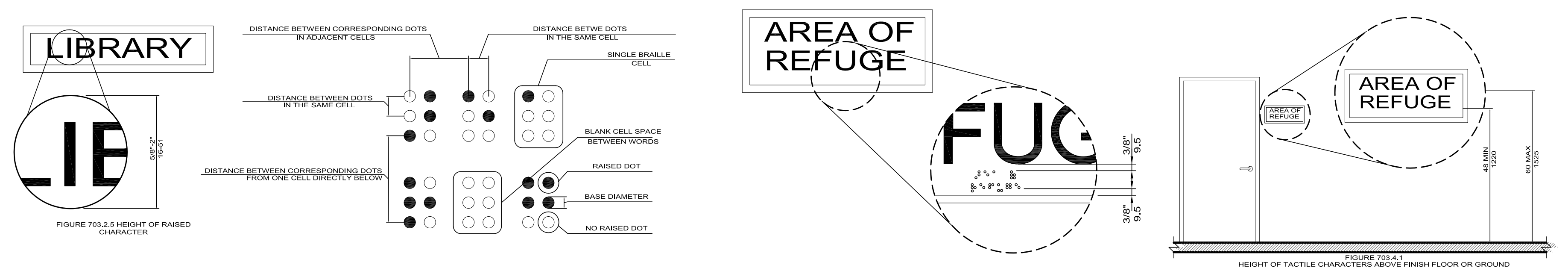
22 GRAB BARS CONTINUED, N.T.S.



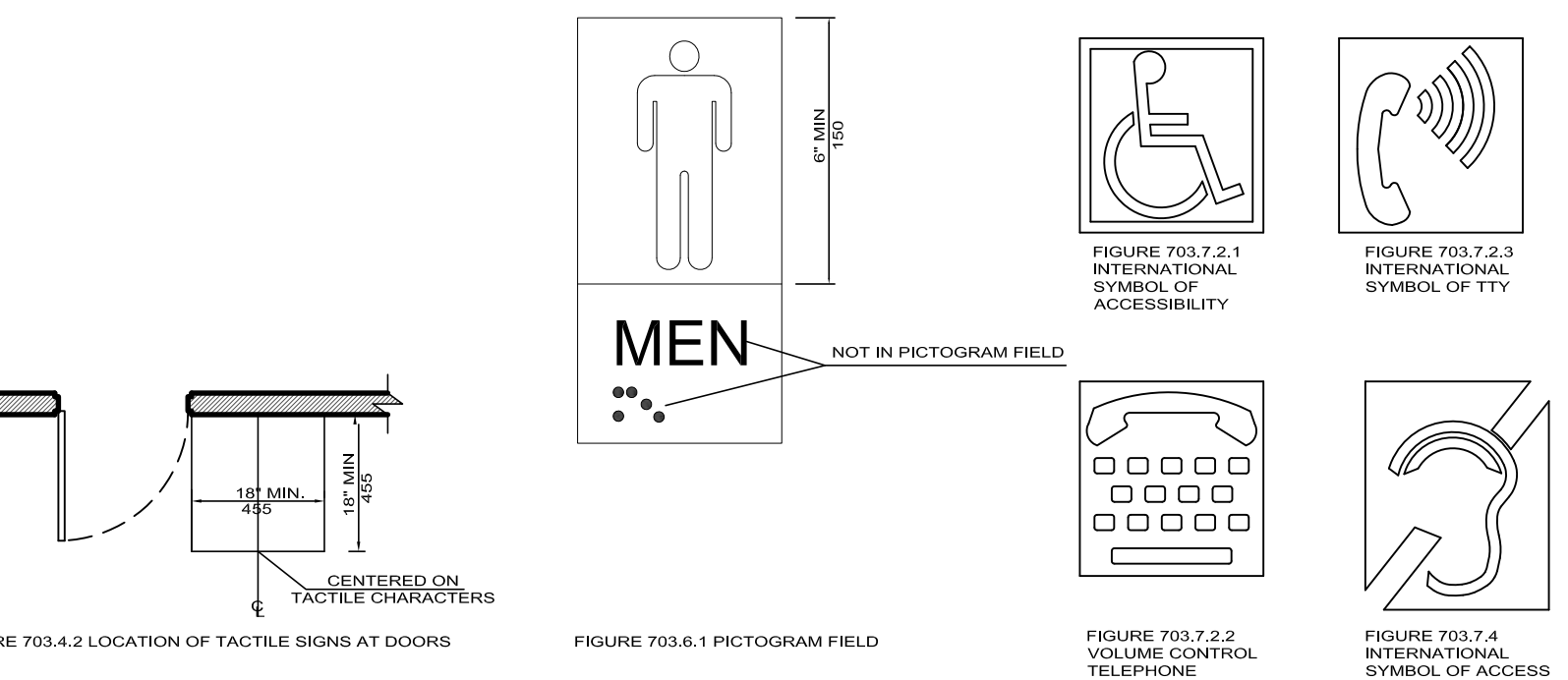
23 610 SEATS, N.T.S.



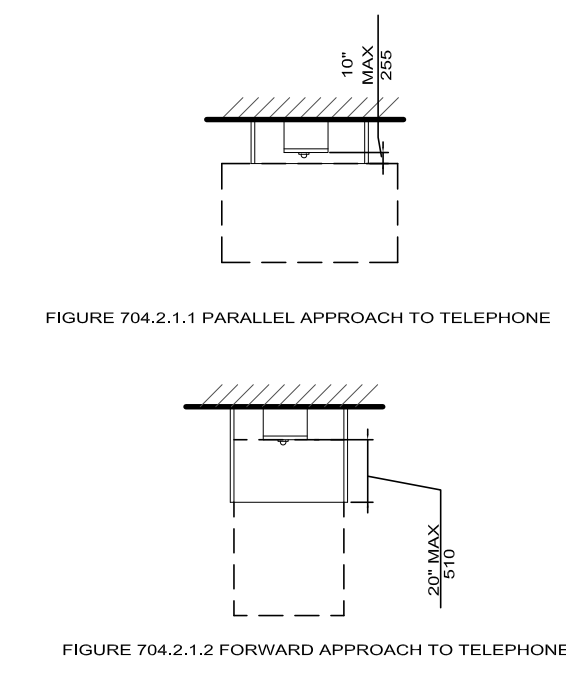
24 703 SIGNS, N.T.S.



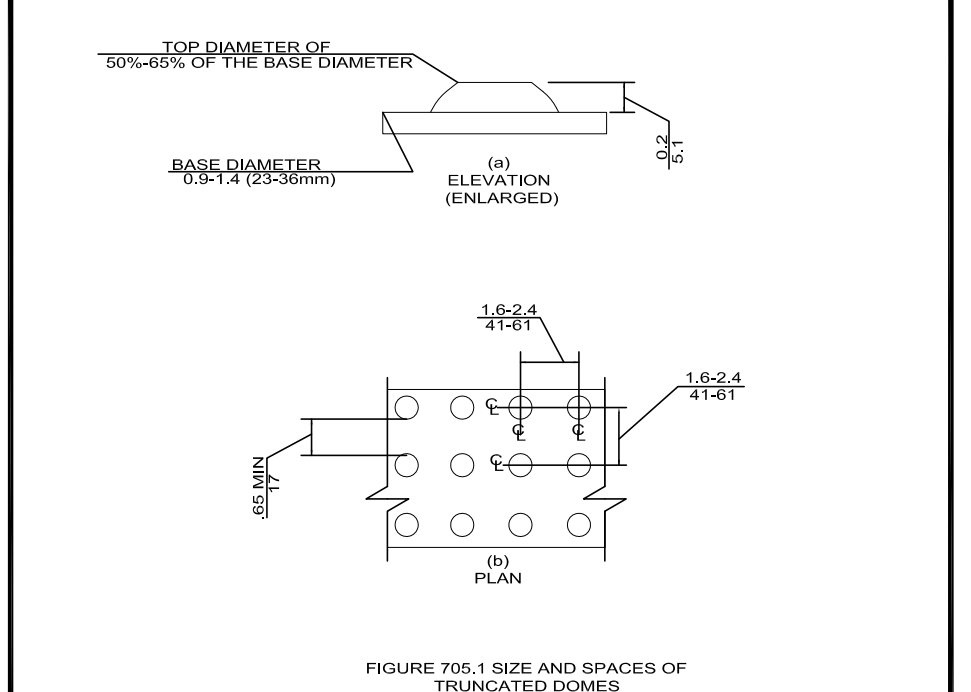
24 SIGNS CONTINUED, N.T.S.



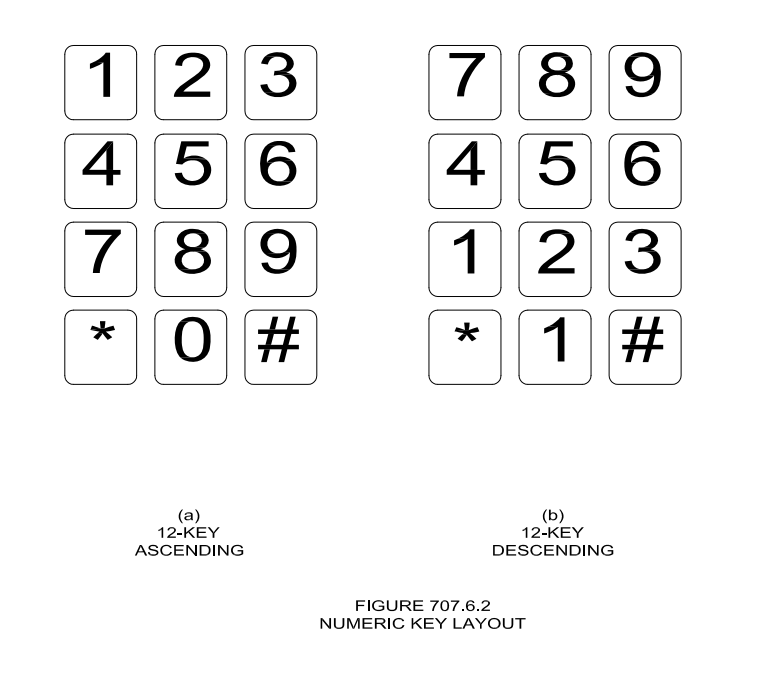
25 704 TELEPHONES, N.T.S.



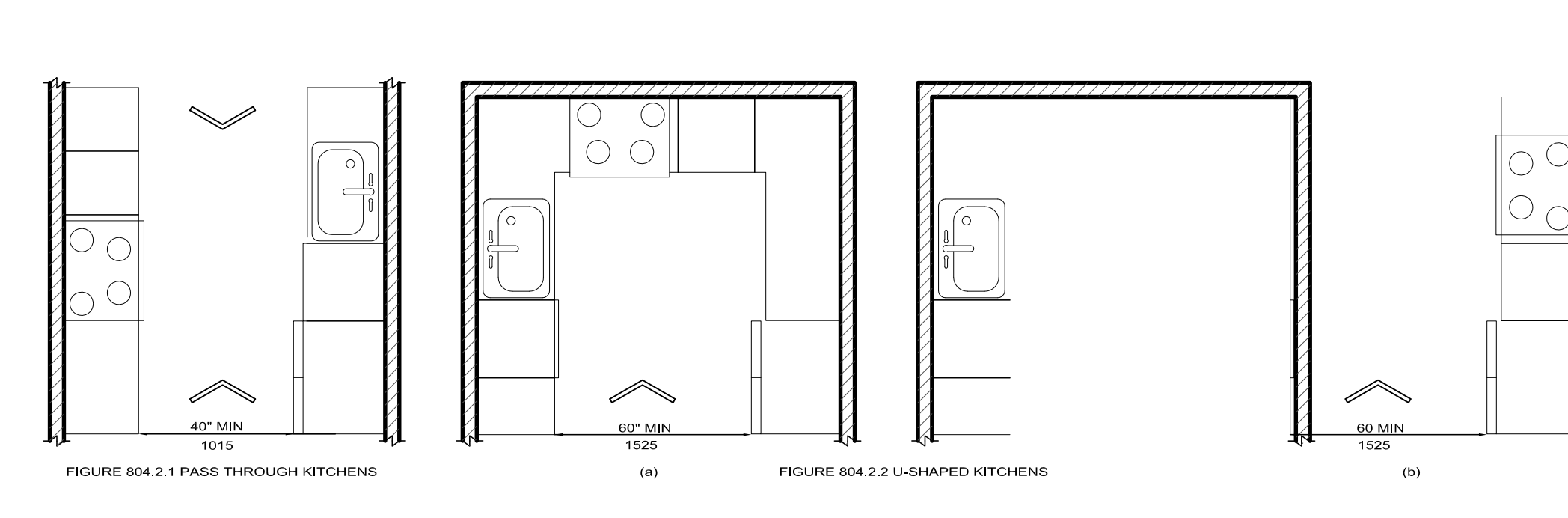
26 705 DETECTABLE WARNINGS, N.T.S.



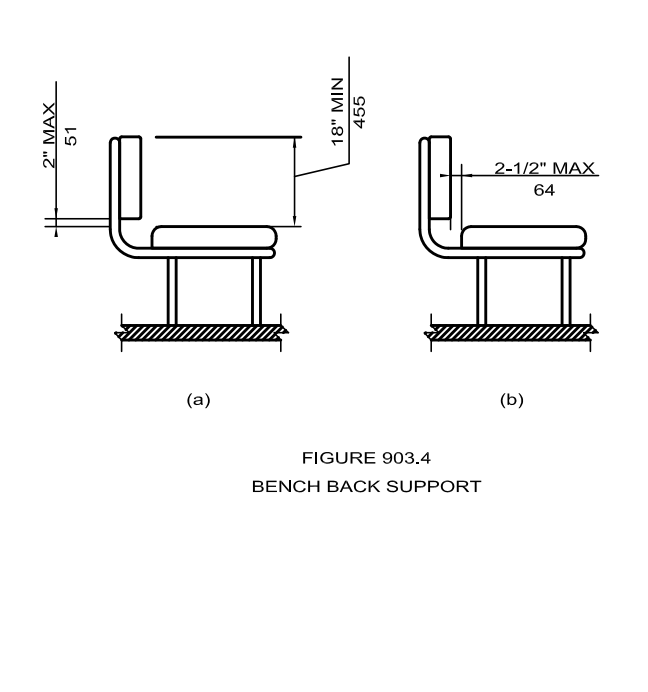
27 707 AUTOMATED TELLER MACHINES AND FARE MACHINES, N.T.S.



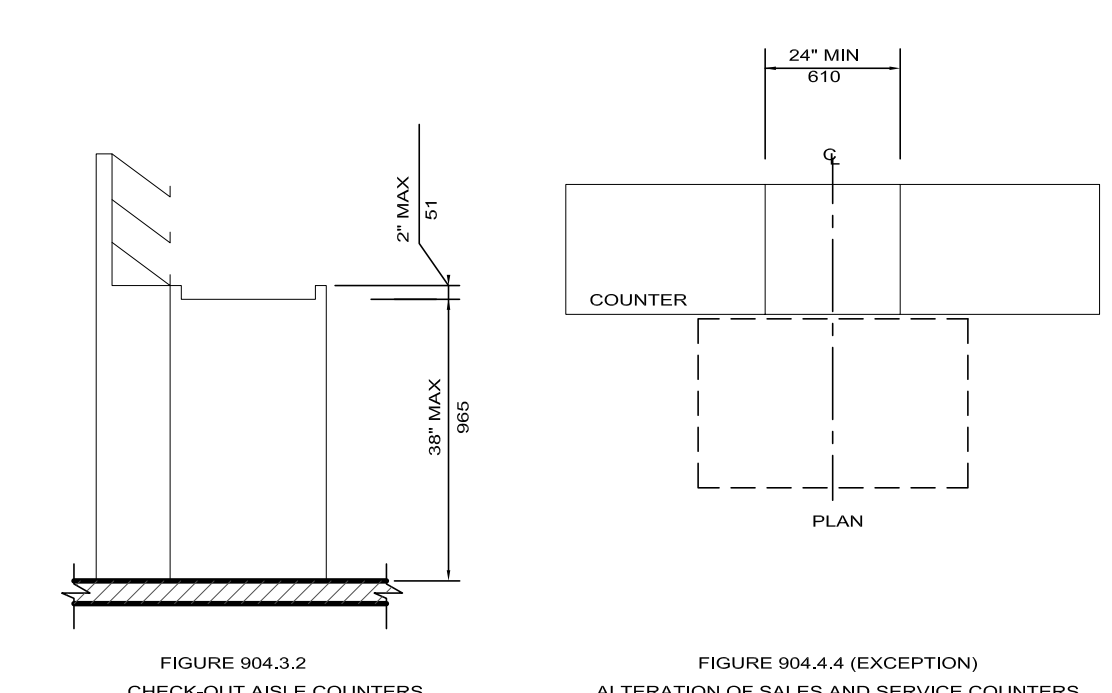
28 804 KITCHENS AND KITCHENETTES, N.T.S.



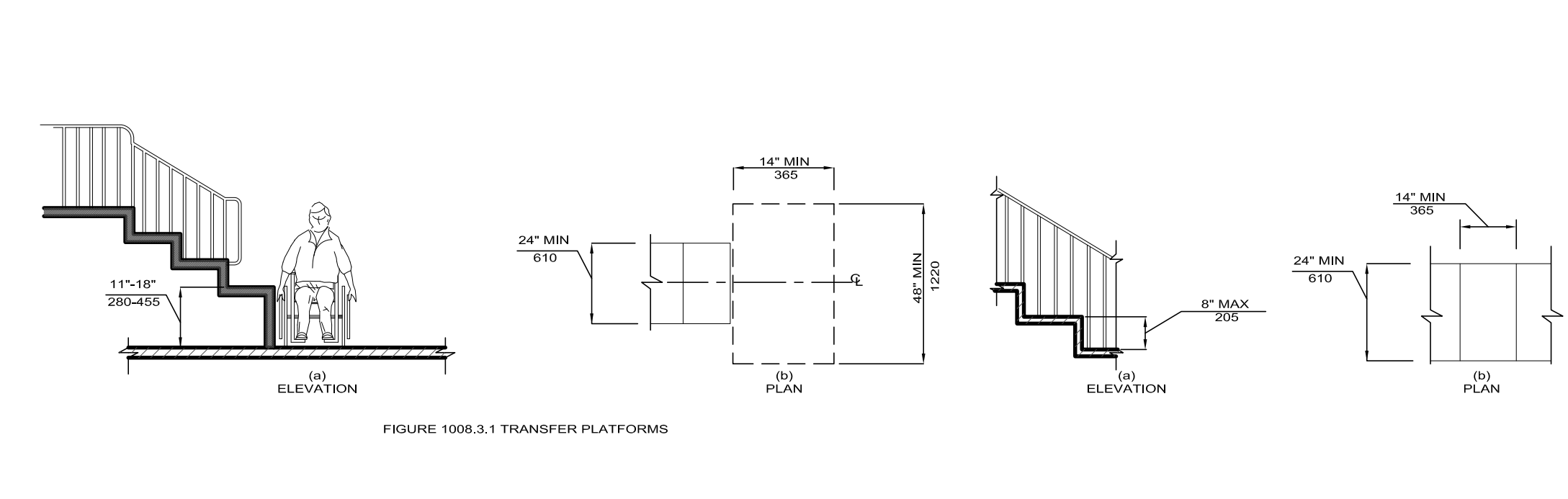
29 903 BENCHES, N.T.S.



30 904 CHECK-OUT AISLES, SALES AND SERVICE COUNTERS, N.T.S.

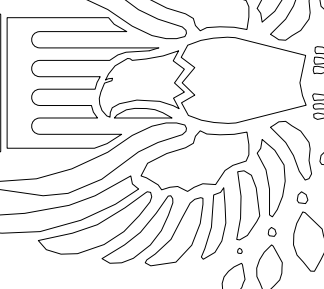
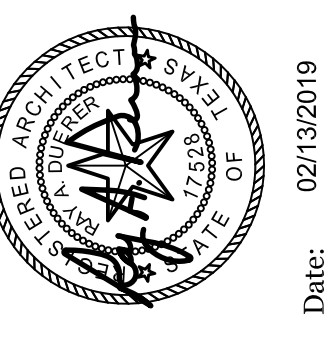


31 1008 PLAY AREAS, N.T.S.

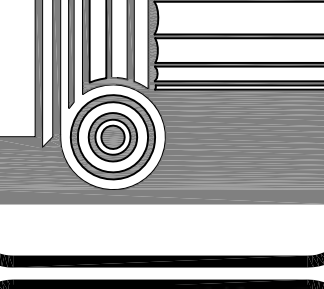


PERMIT / BID ISSUE 02/13/2019

02/13/2019



CDA Architects Member American Institute of Architects 20445 State Hwy 249, Suite 200 Fort Worth, Texas 76179-9536 Fax 859/678-9240



ASHTON GRAY DEVELOPMENT

ACCESSIBILITY GUIDELINES 10,720 SF Retail Shell SPRING STUEBNER @ SPRING PLAZA SPRING, TEXAS 77389

SCALE AS NOTED PROJECT 19027 DATE 01/31/19 SHEET NO. G002