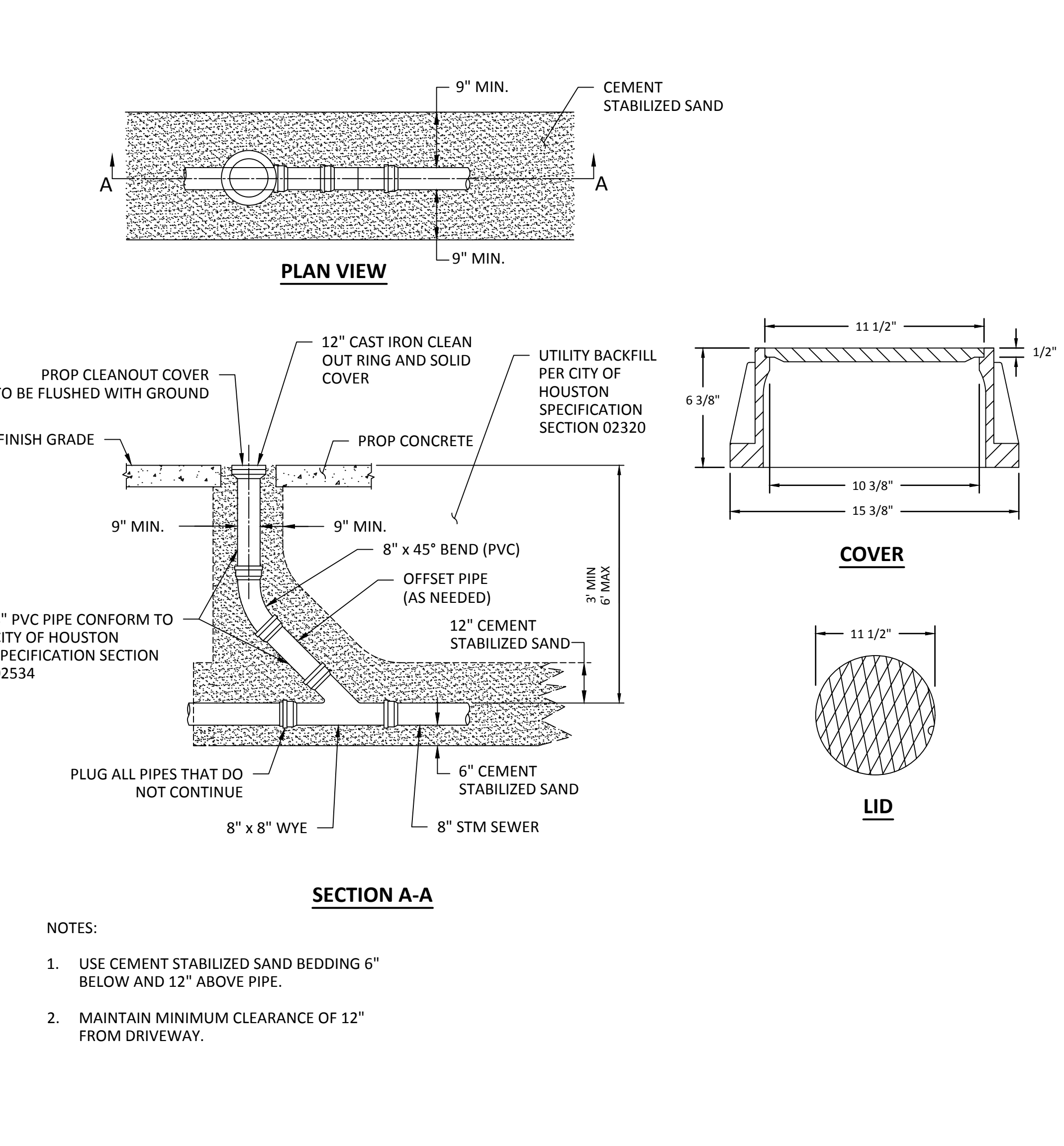
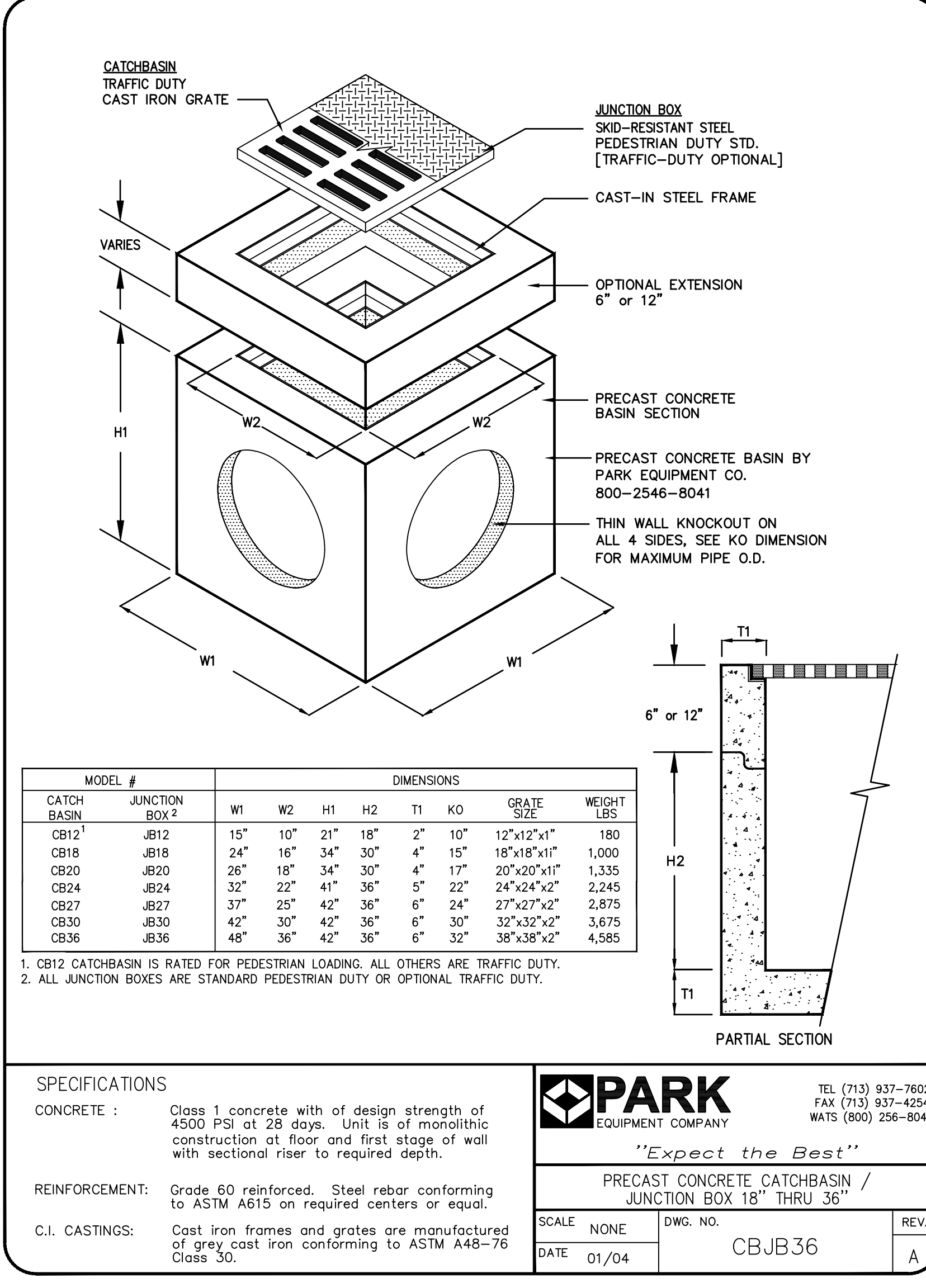


1 MANHOLE DETAIL Scale: N.T.S. File:

2 STORM SEWER MANHOLE FRAME AND COVER Scale: N.T.S. File:

3 CRUSHED STONE BEDDING Scale: N.T.S. File:

4 BACKFILL DETAIL Scale: N.T.S. File:



5 CATCH BASIN & JUNCTION BOX DETAIL Scale: N.T.S. File:

6 STORM CLEANOUT Scale: N.T.S. File:

01/31/2010
 PERMIT / BID ISSUE
 THIS DOCUMENT IS RELEASED FOR THE PURPOSE OF REVIEW UNDER THE AUTHORITY OF THE CITY OF HOUSTON. IT IS NOT TO BE USED FOR CONSTRUCTION PURPOSES.
CDA Architects
 Member American Institute of Architects
 200445 State Hwy 249, Suite 200
 Houston, Texas 77079-9536 Fax 832/678-9240
IDS Engineering Group
 13400 NW Freeway
 Houston, TX 77040
 713.662.3178
 1195.101020
STORM SEWER DETAILS
Ashton Gray Retail - Kentroc
 SOUTHWEST CORNER OF SPRING STUEBNER
 AND SPRING PLAZA, HARRIS COUNTY, TEXAS
C11.0
 SCALE: N.T.S.
 PROJECT:
 DATE: