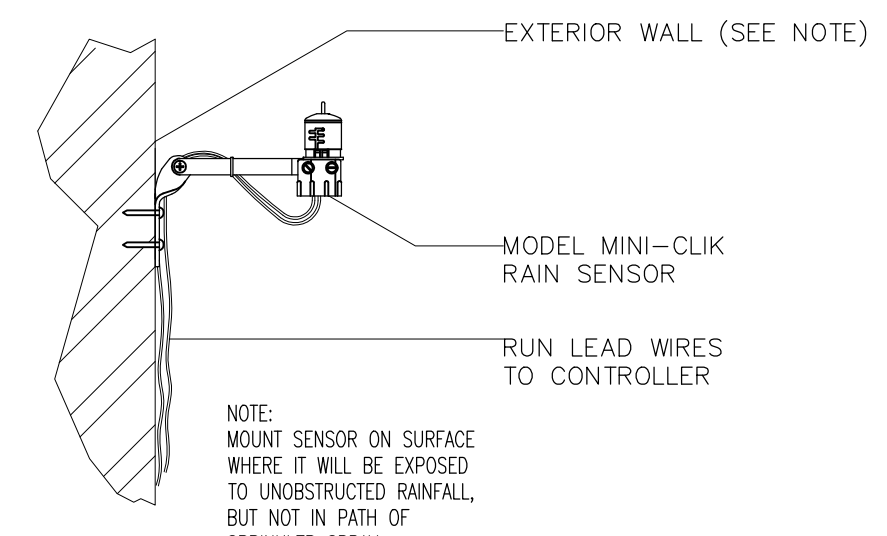
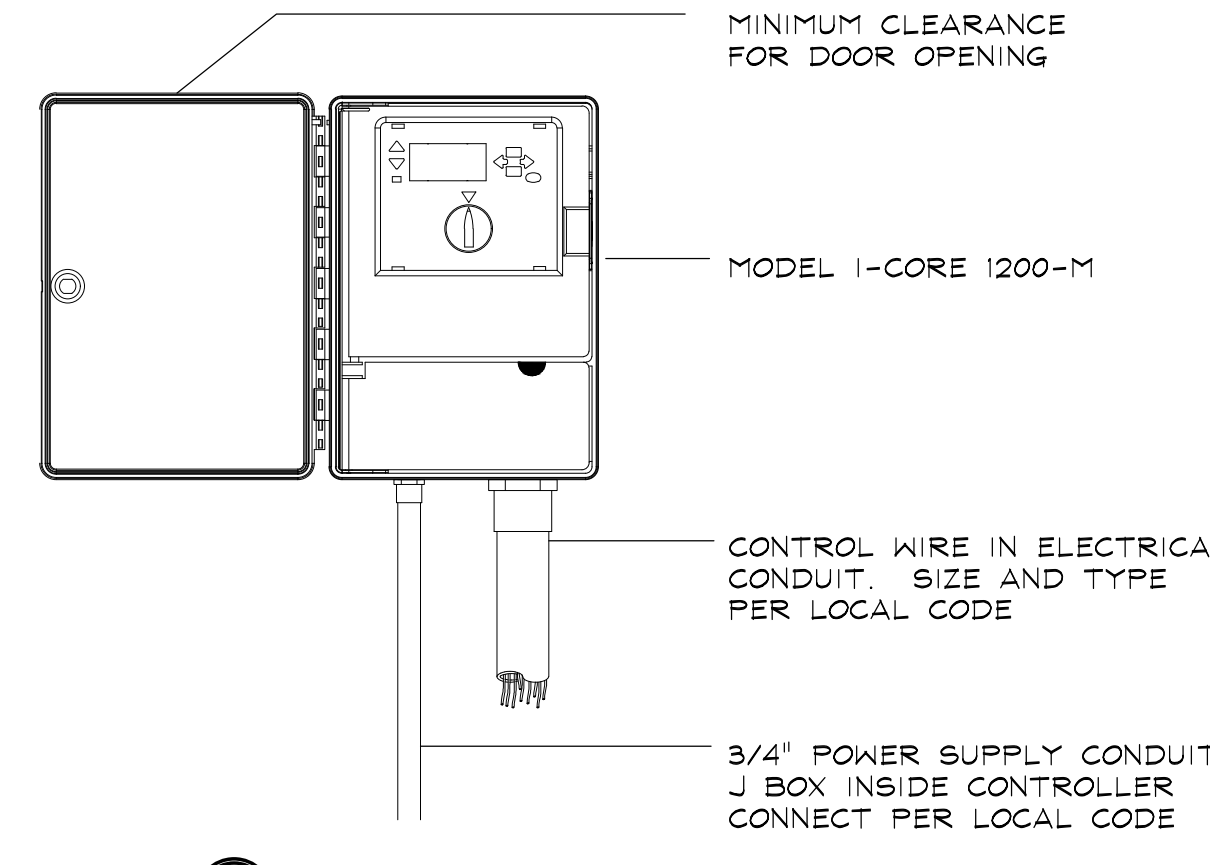


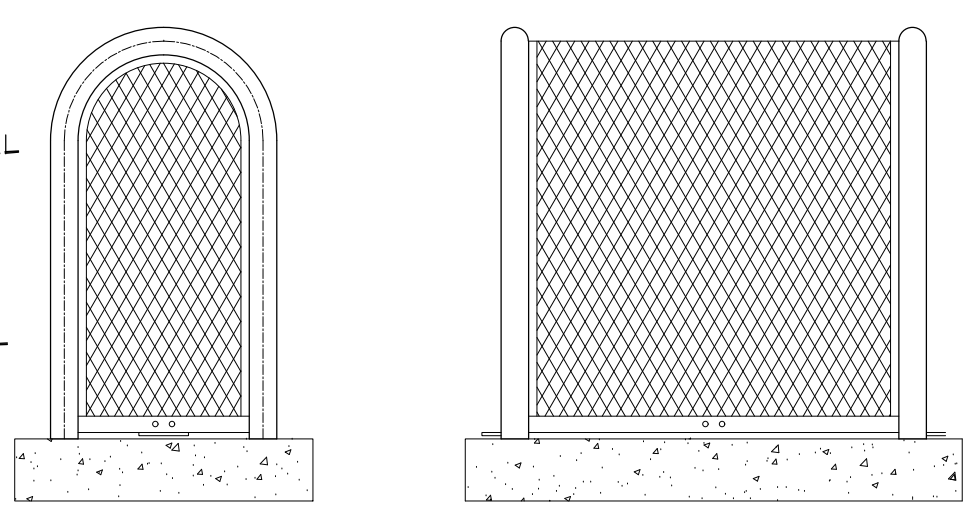
B - HUNTER PGJ



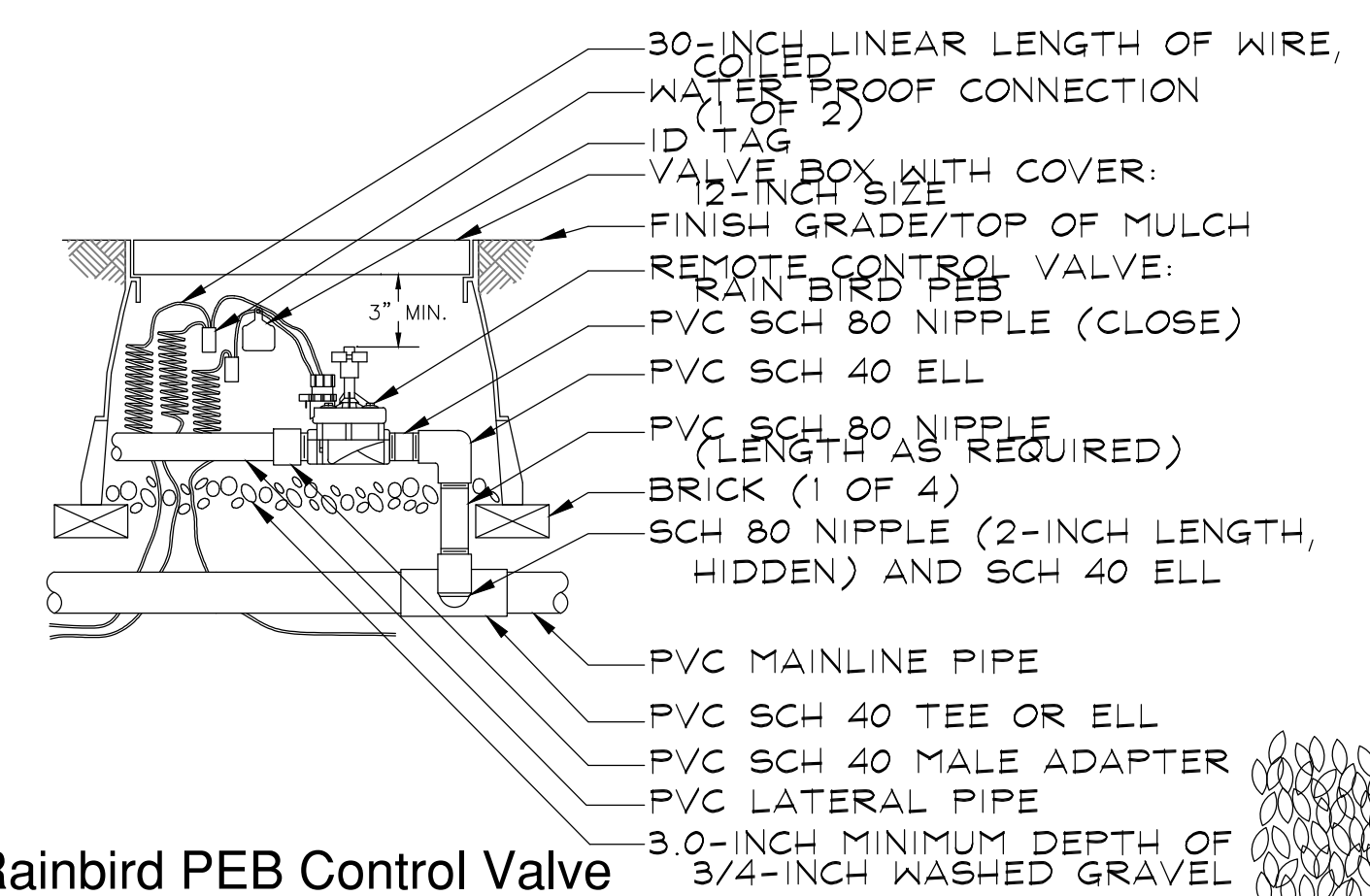
C - HUNTER MINI-CLICK RAIN SENSOR



C - HUNTER CONTROLLER

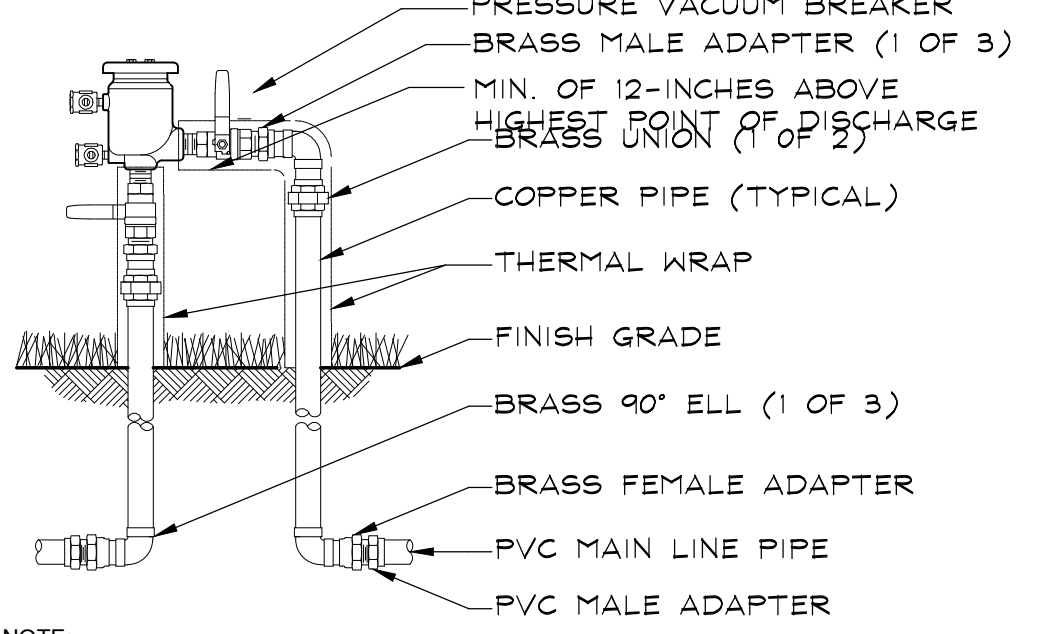


H - BACKFLOW ENCLOSURE GUARDSHACK



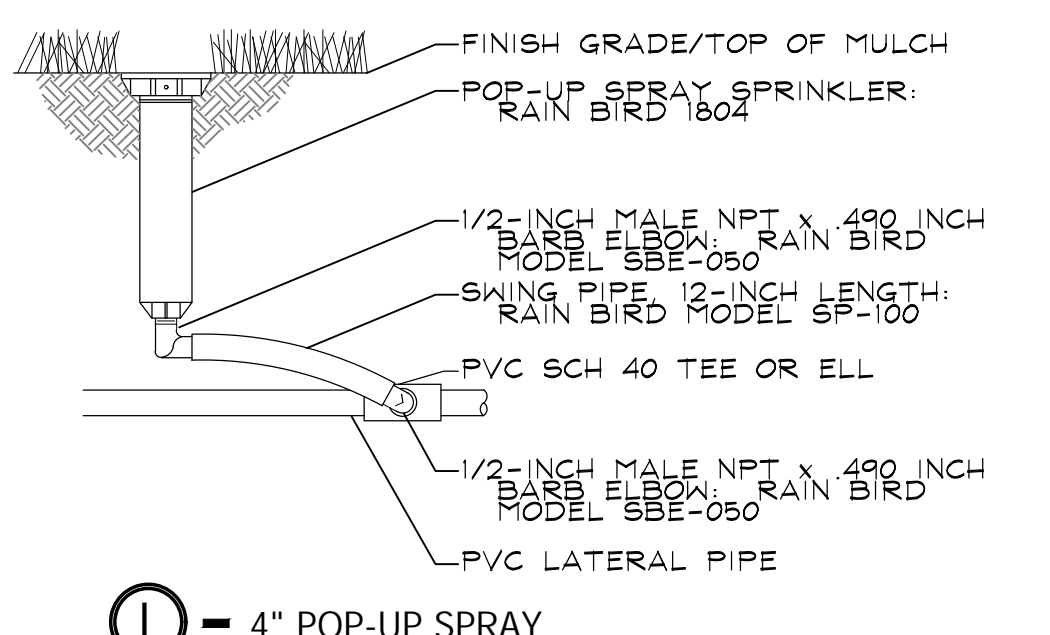
Rainbird PEB Control Valve

D - IRRIGATION CONTROL VALVE

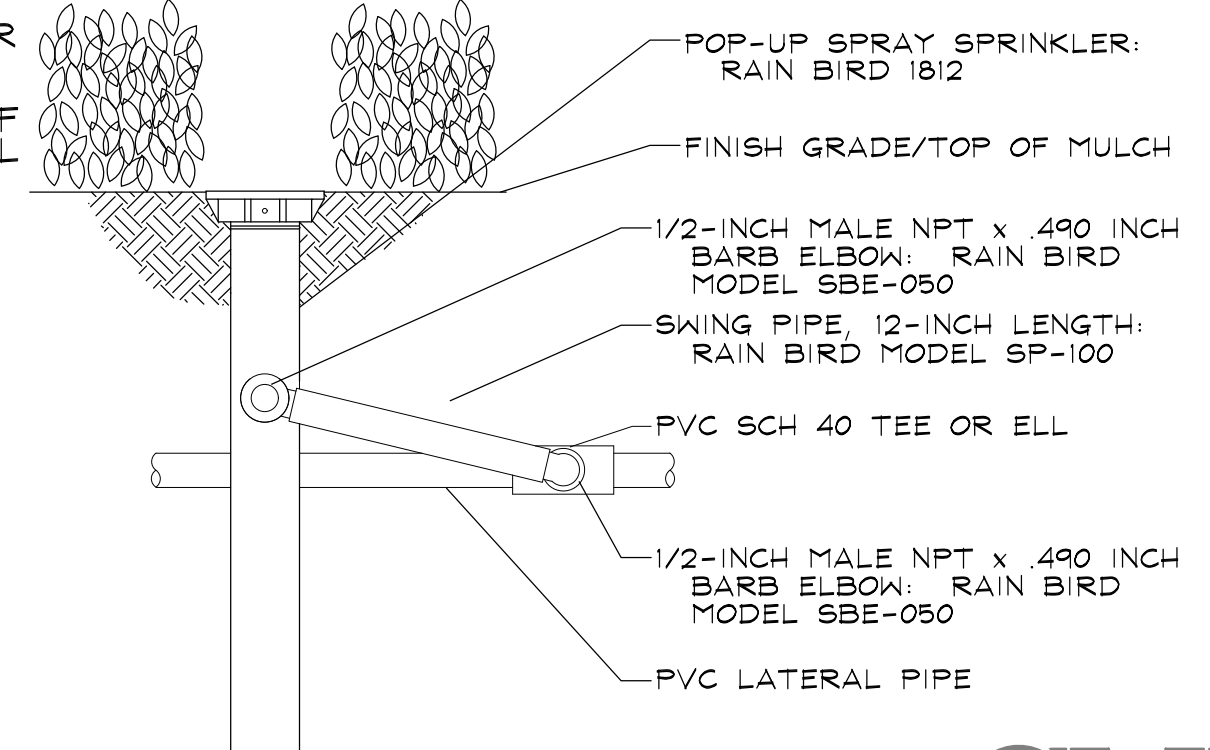


H - BACKFLOW PREVENTER

NOTE:
1. INSTALL BACK FLOW PREVENTER AS REQUIRED BY LOCAL CODES AND HEALTH DEPARTMENT. VERIFY LOCAL REQUIREMENTS PRIOR TO INSTALLATION. DOUBLE CHECK VALVE ASSEMBLY MAY BE REQUIRED



I - 4" POP-UP SPRAY



J - 12" POP-UP SPRAY

CMB
LANDSCAPE ARCHITECTURE
18135 FM 362
Navasota, TX 77868
832-428-1209

01/21/2019
 PREPARE / BID ISSUE

CDA Architects
 Member American Institute of Architects
 20445 State Hwy 249, Suite 200
 Houston, Texas 77070
 832/678-9932 Fax 832/678-9240

IRRIGATION DETAILS
10,720 SF Retail Shell
 SPRING STUEBNER @ SPRING PLAZA
 SPRING, TEXAS 77389
 SCALE AS NOTED
 PROJECT 19 007
 DATE 01/21/19

CMB
LANDSCAPE ARCHITECTURE
18135 FM 362
Navasota, TX 77868
832-428-1209