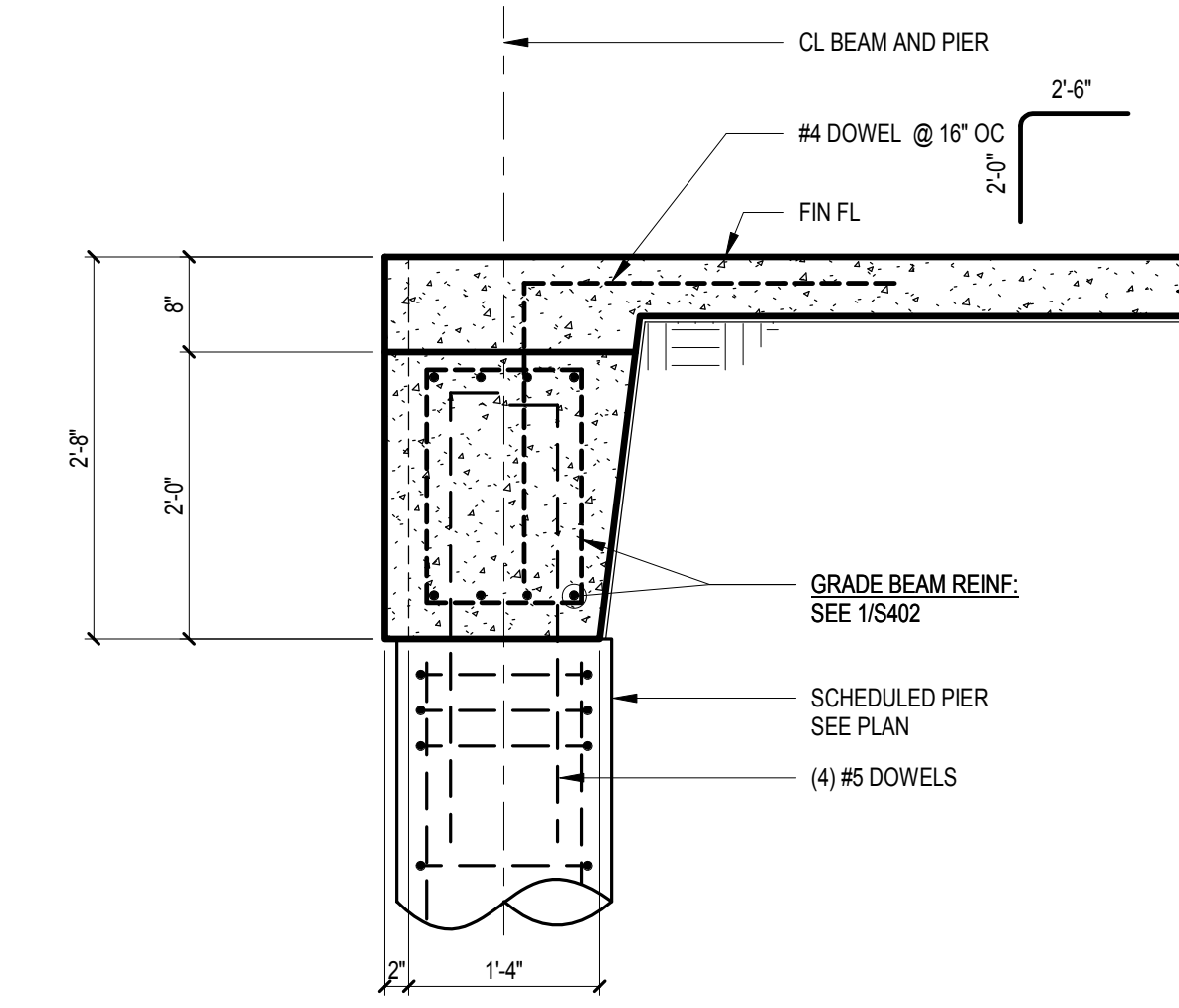
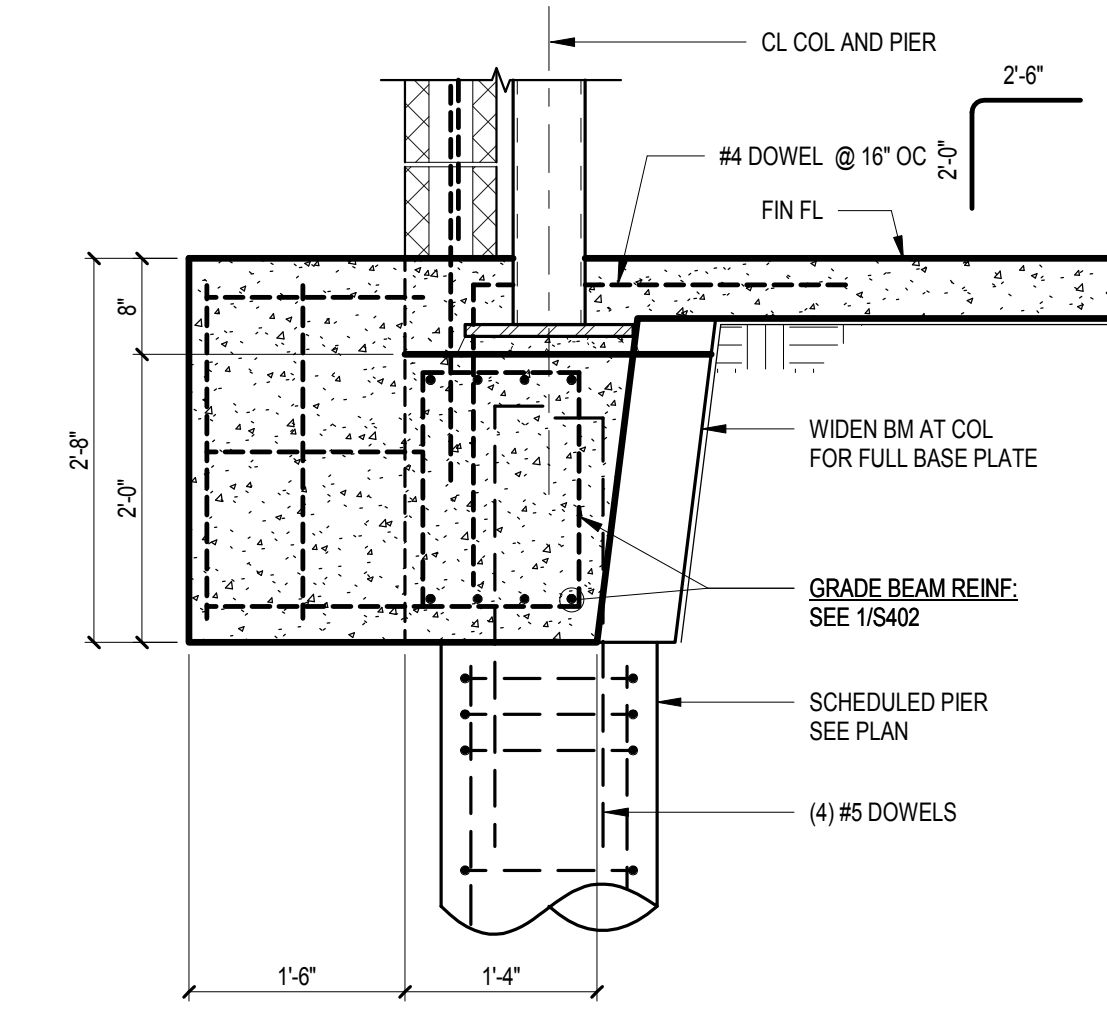


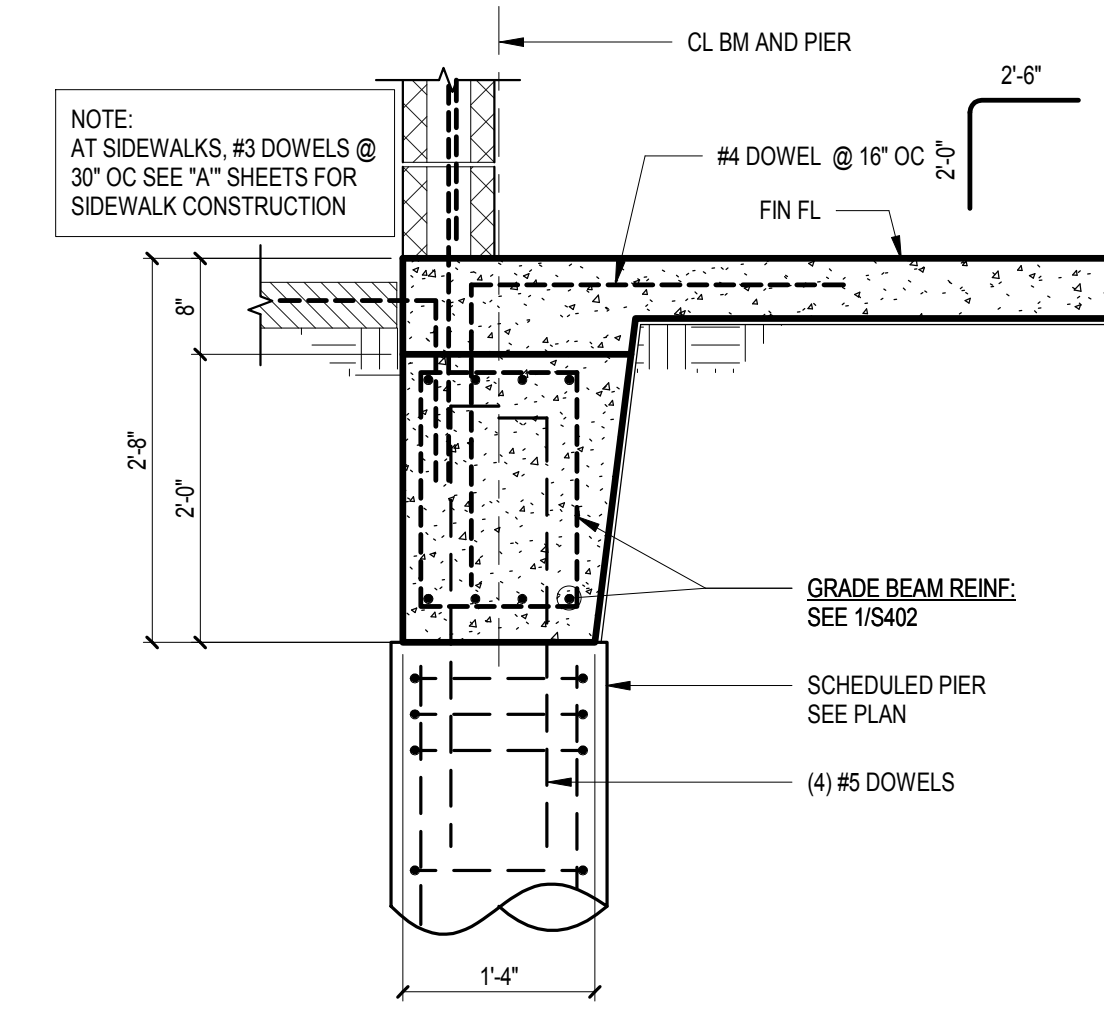
1 EXTERIOR GRADE BEAM
3/4" = 1'-0"



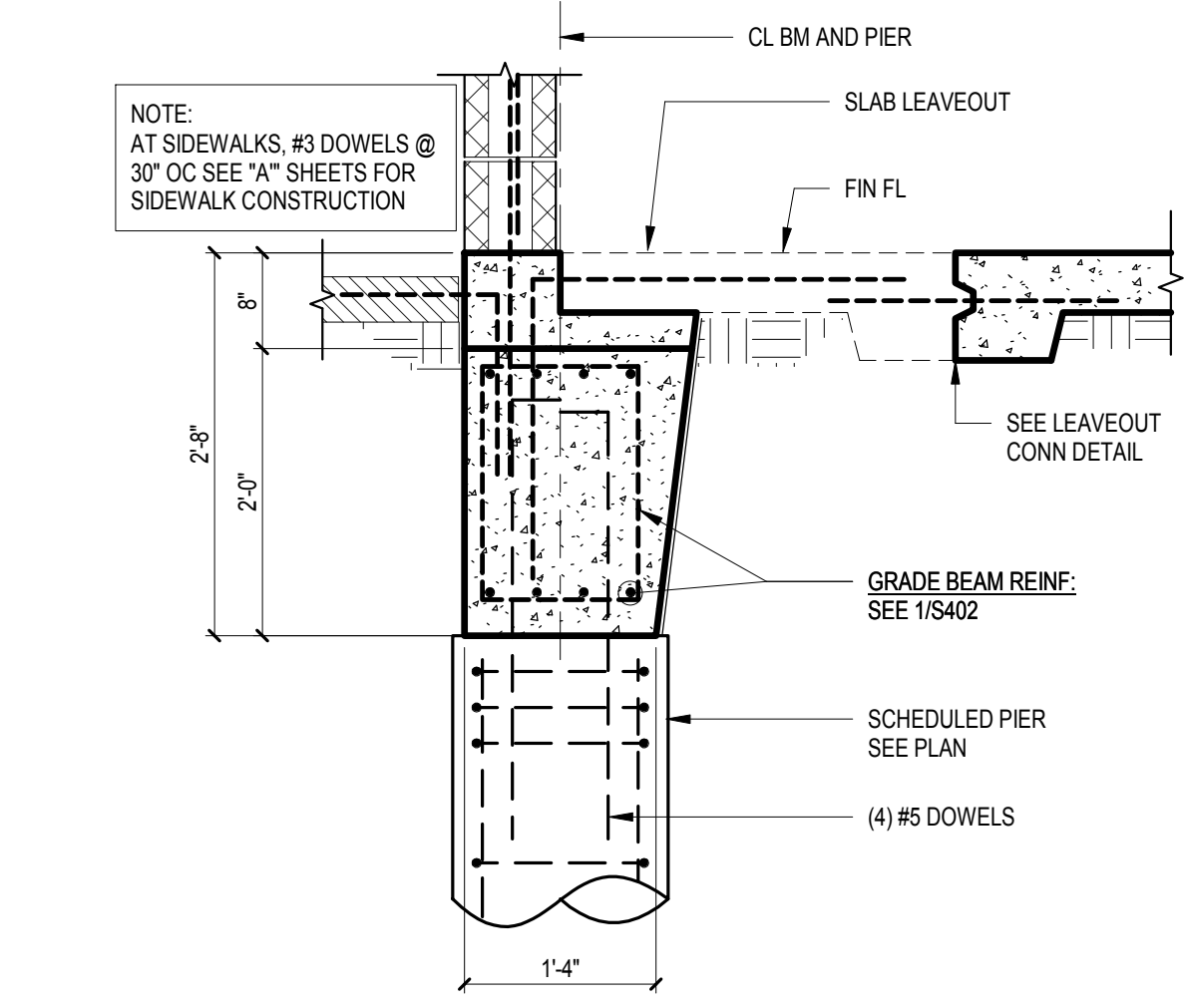
2 EXTERIOR GRADE BEAM
3/4" = 1'-0"



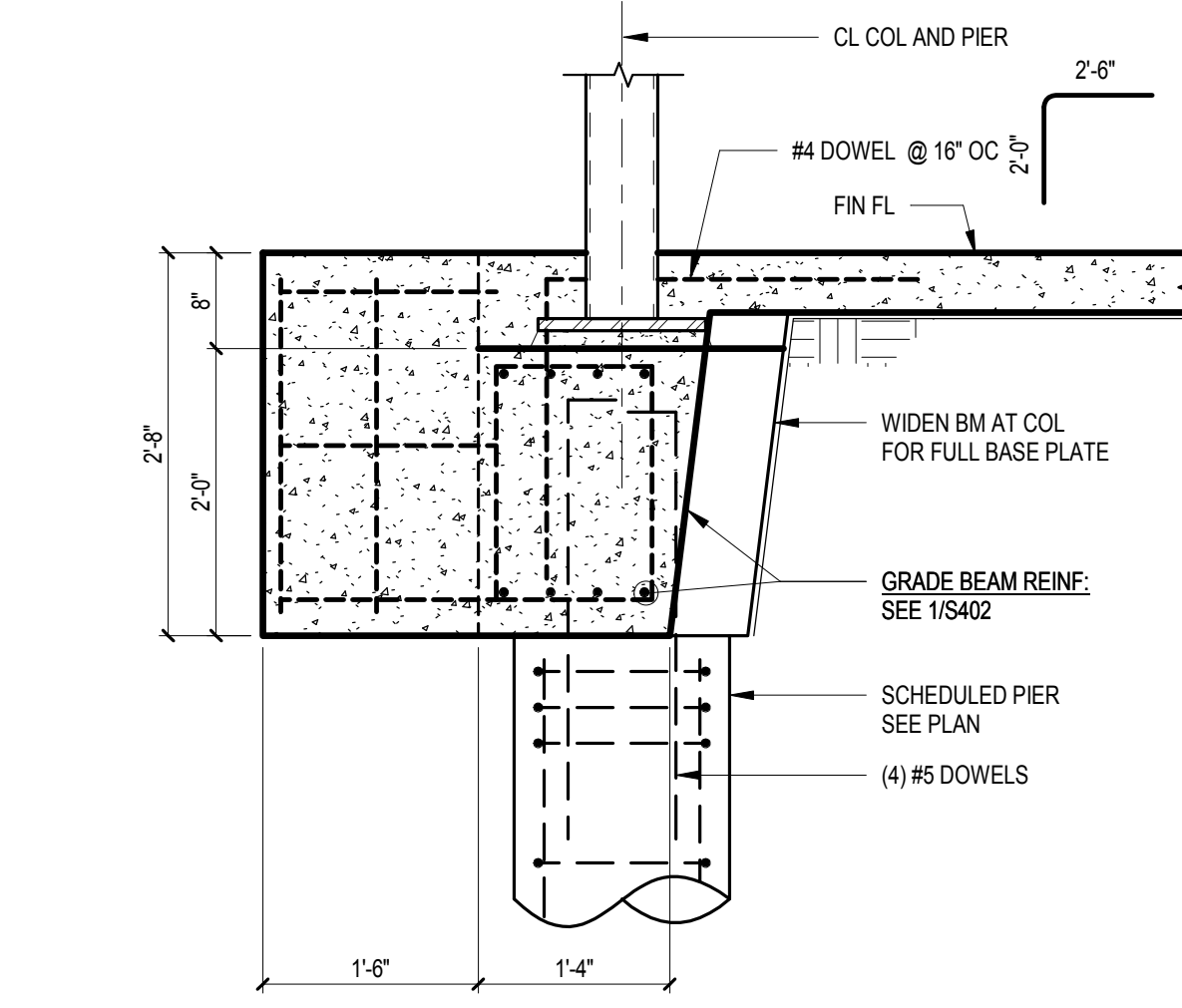
3 EXTERIOR GRADE BEAM AND COLUMN
3/4" = 1'-0"



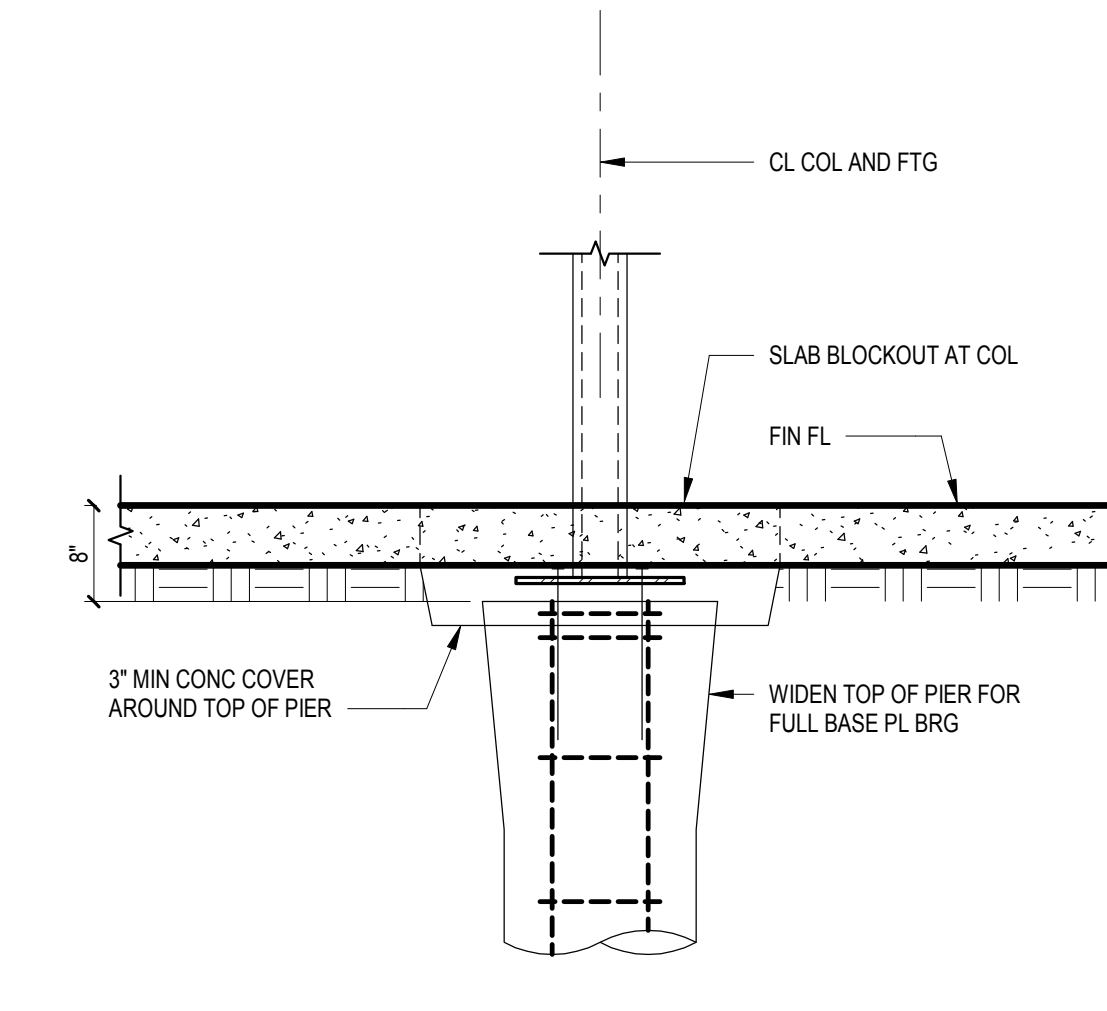
4 EXTERIOR GRADE BEAM
3/4" = 1'-0"



5 EXTERIOR GRADE BEAM
3/4" = 1'-0"



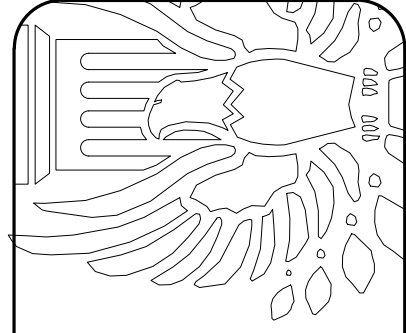
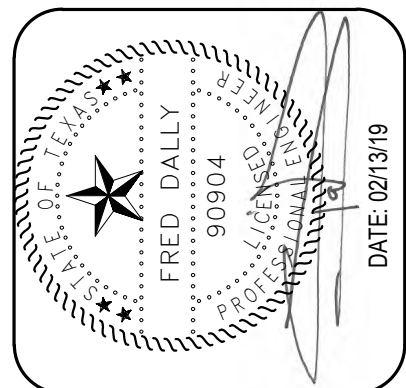
6 EXTERIOR GRADE BEAM AND COLUMN
3/4" = 1'-0"



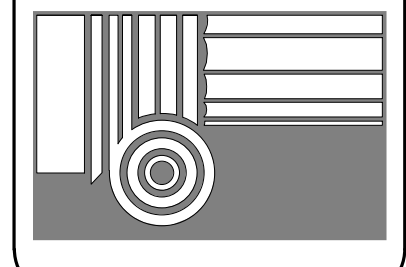
7 INTERIOR COLUMN SUPPORT
3/4" = 1'-0"

02/13/2019

PERMIT / BID ISSUE



CDA Architects
Member American Institute of Architects
200445 State Hwy 7249, Suite 200
Houston, Texas 77078
832/978-9232 Fax 832/978-9240



FOUNDATION DETAILS
10,720 SF Retail Shell
SPRING STUEBNER @ SPRING PLAZA
SPRING, TEXAS 77389



9600 Richmond Avenue, Suite 400
Houston, Texas 77042
713.337.8881
Texas Registered Engineering Firm
F-033408
PROJECT: 19-013-00

SCALE AS NOTED
PROJECT: 19-013-00
DATE: 02/13/19
S402