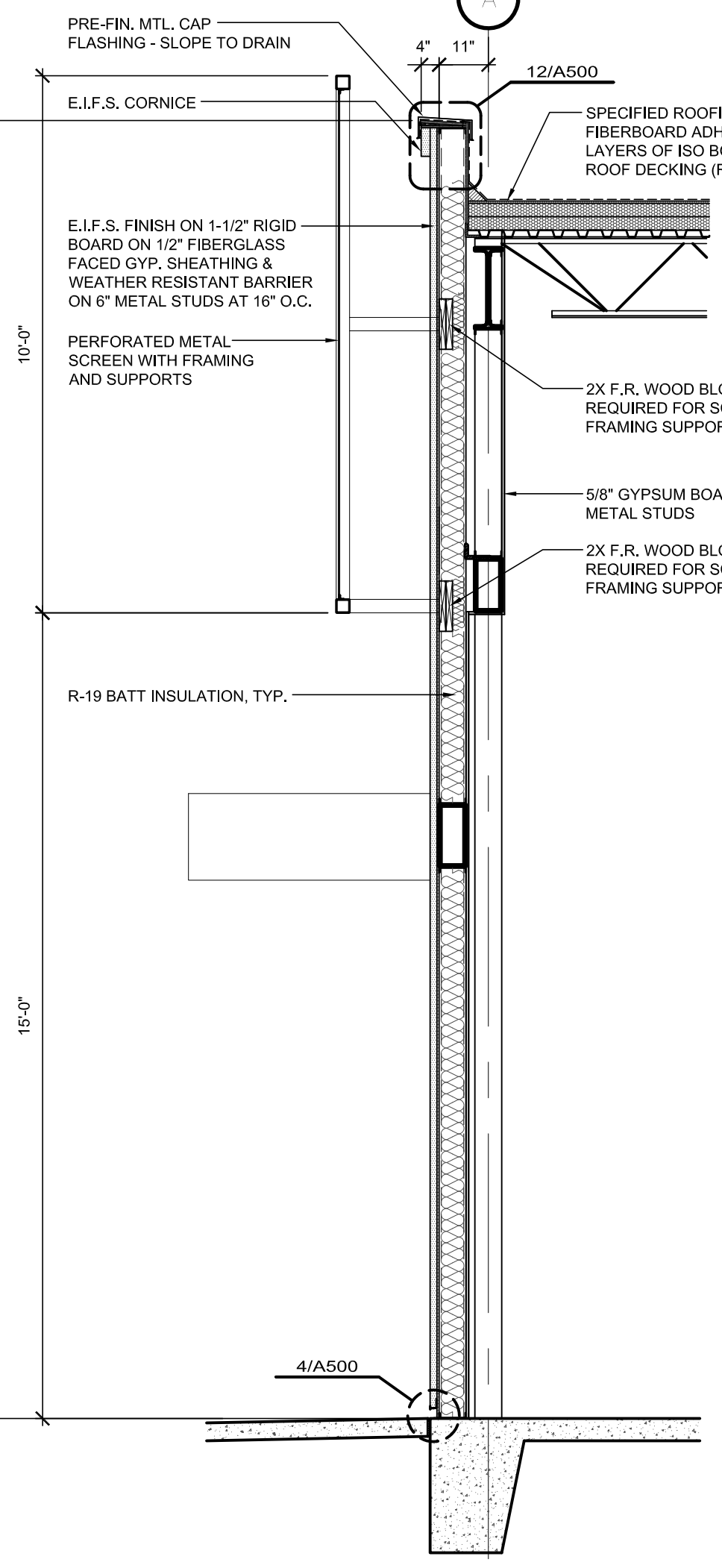
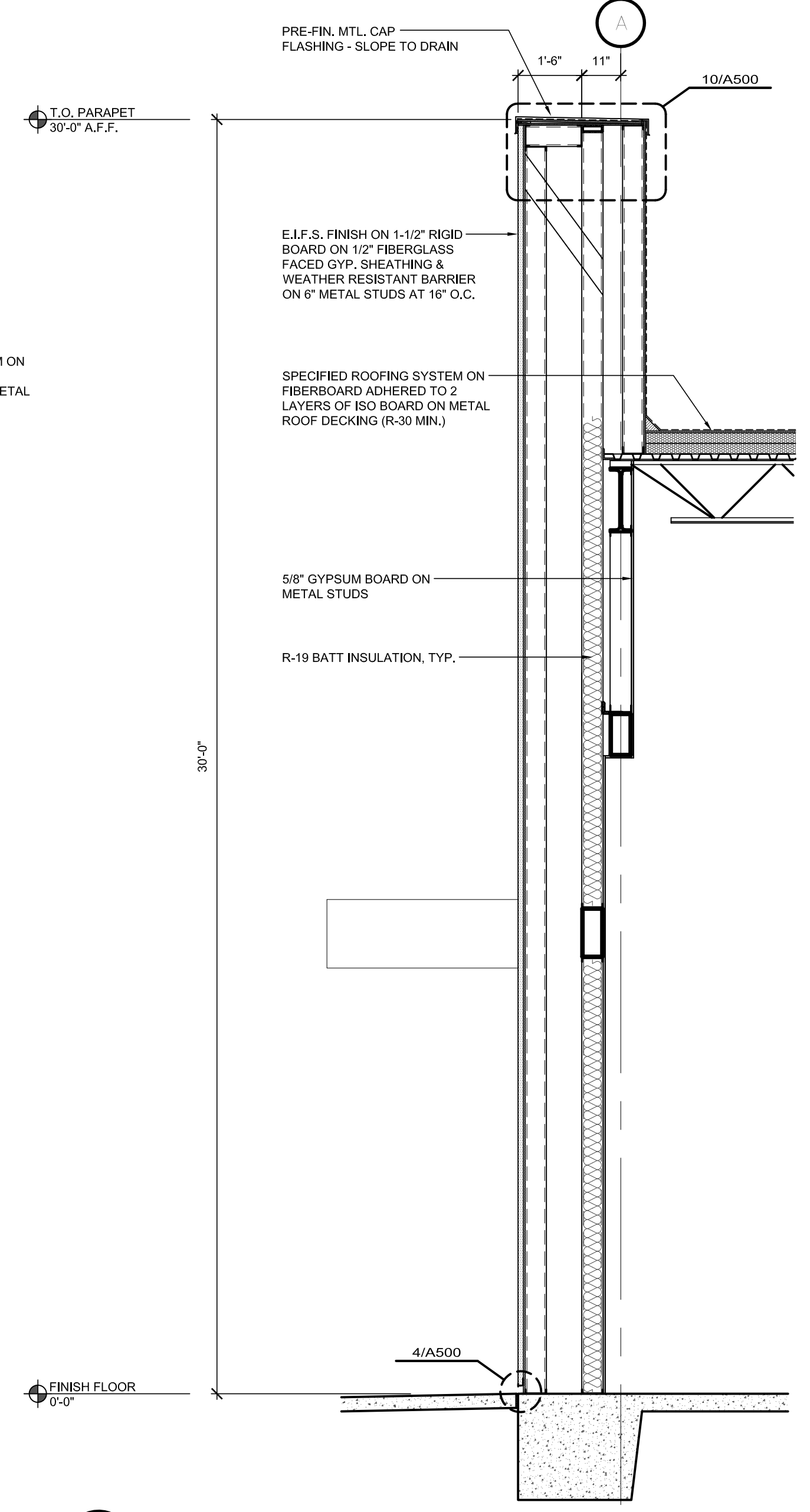


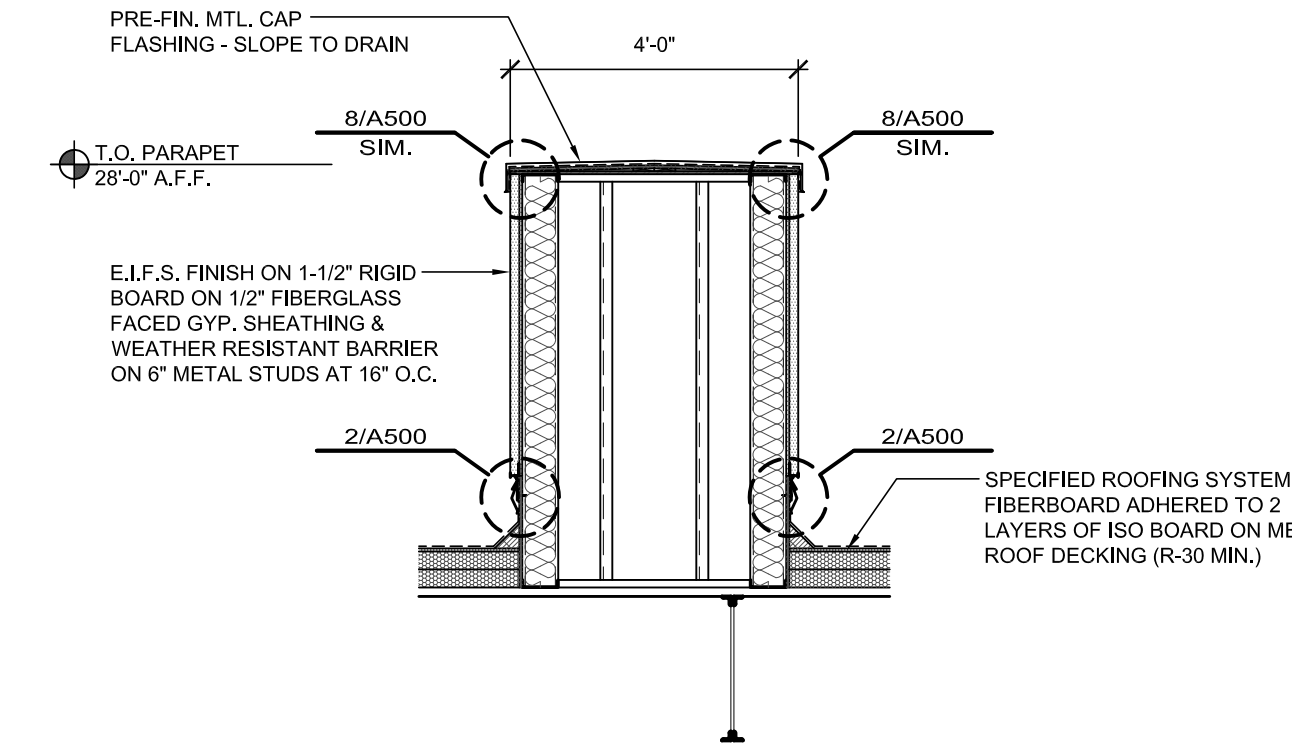
10 WALL SECTION  
SCALE: 3/8" = 1'-0"



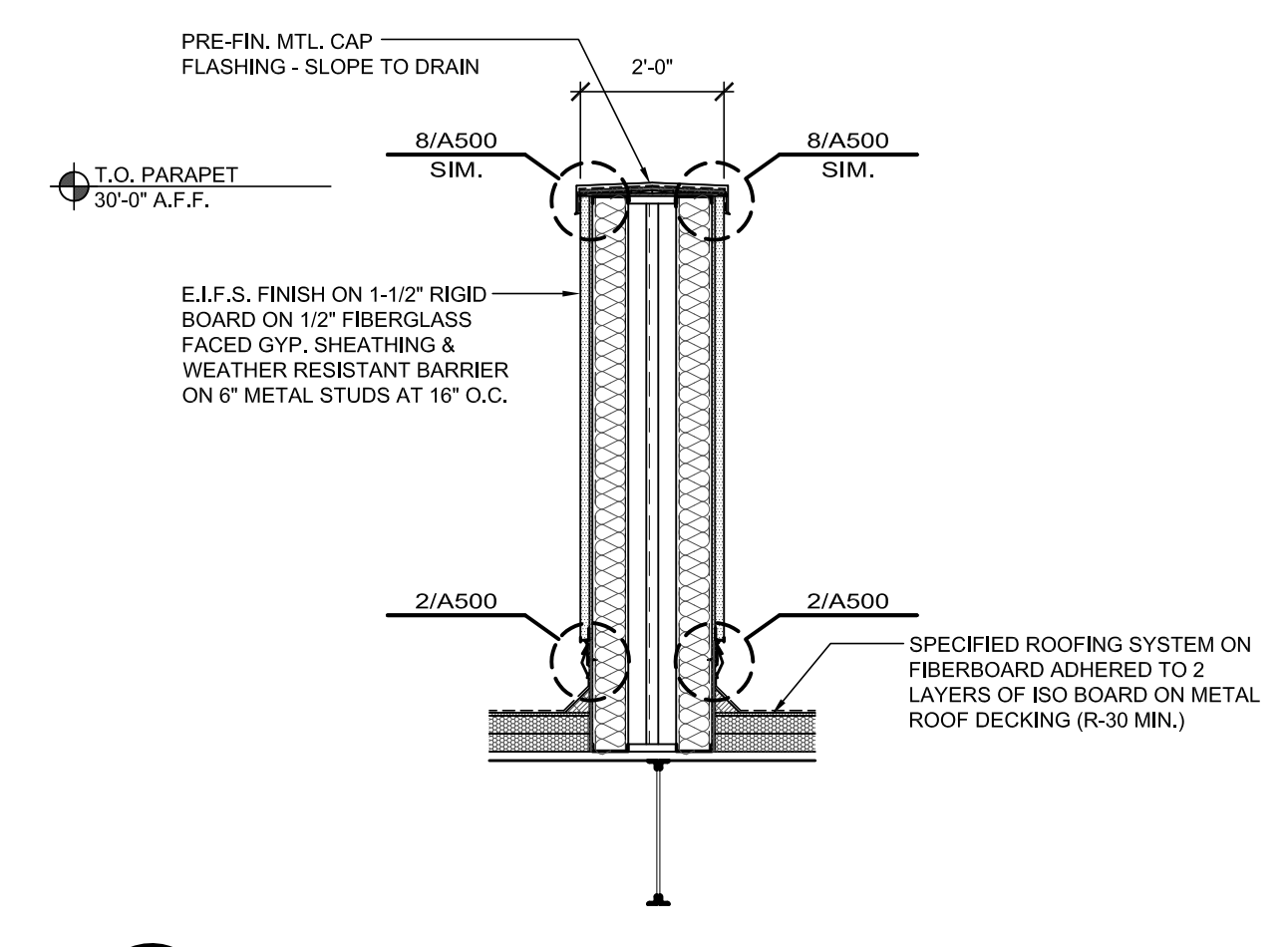
9 WALL SECTION  
SCALE: 3/8" = 1'-0"



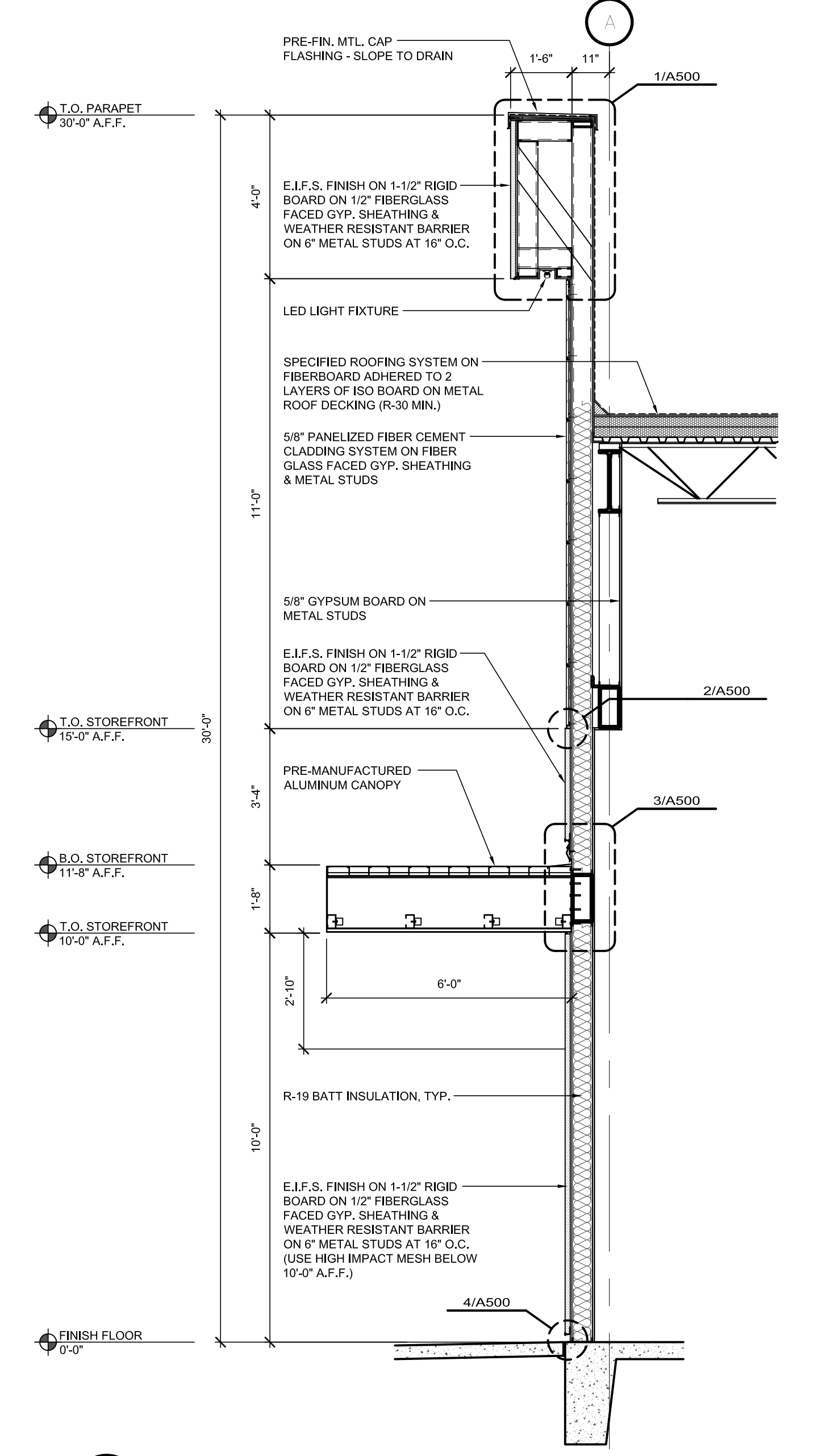
8 WALL SECTION  
SCALE: 3/8" = 1'-0"



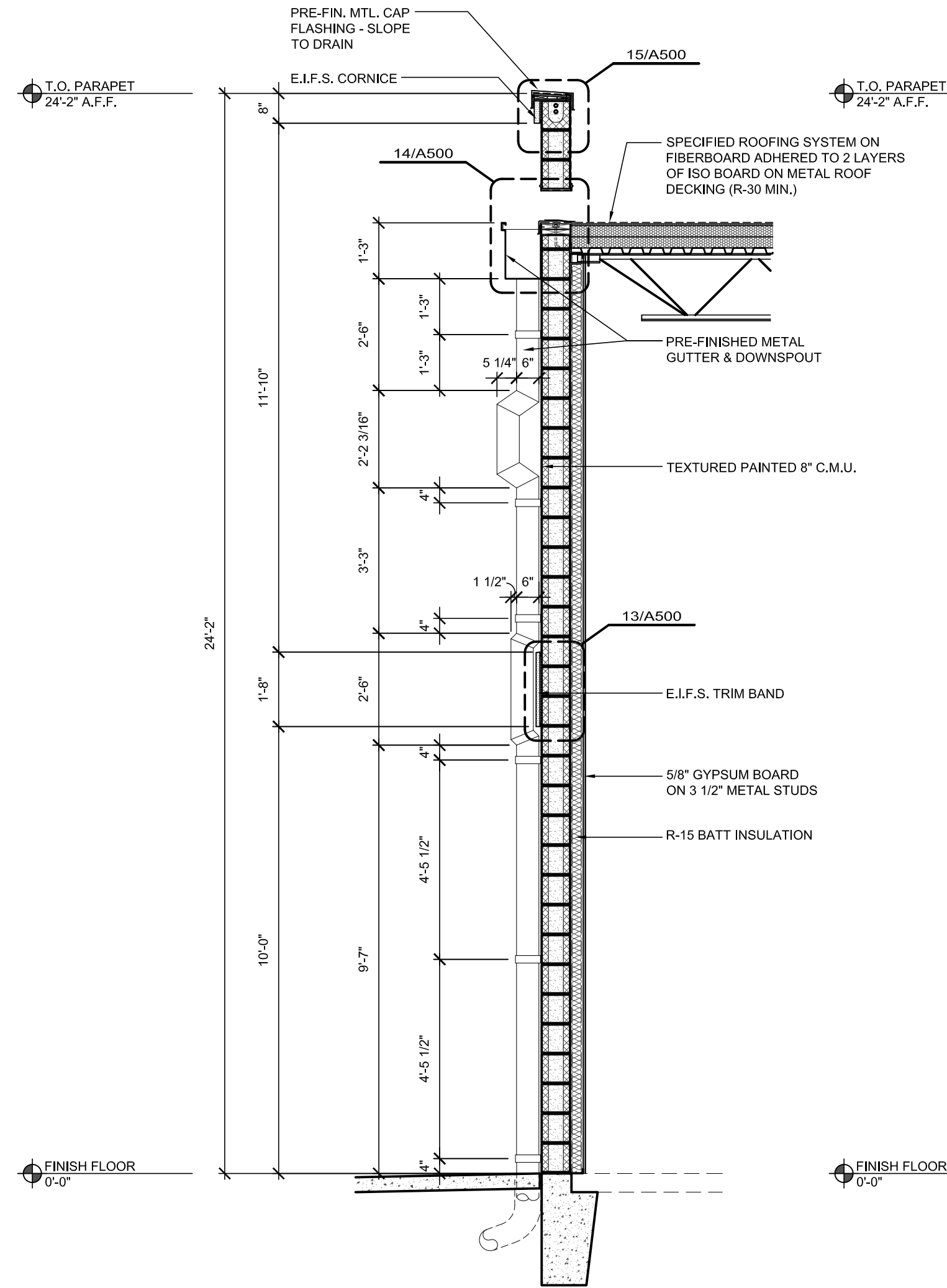
7A PARAPET SECTION  
SCALE: 3/8" = 1'-0"



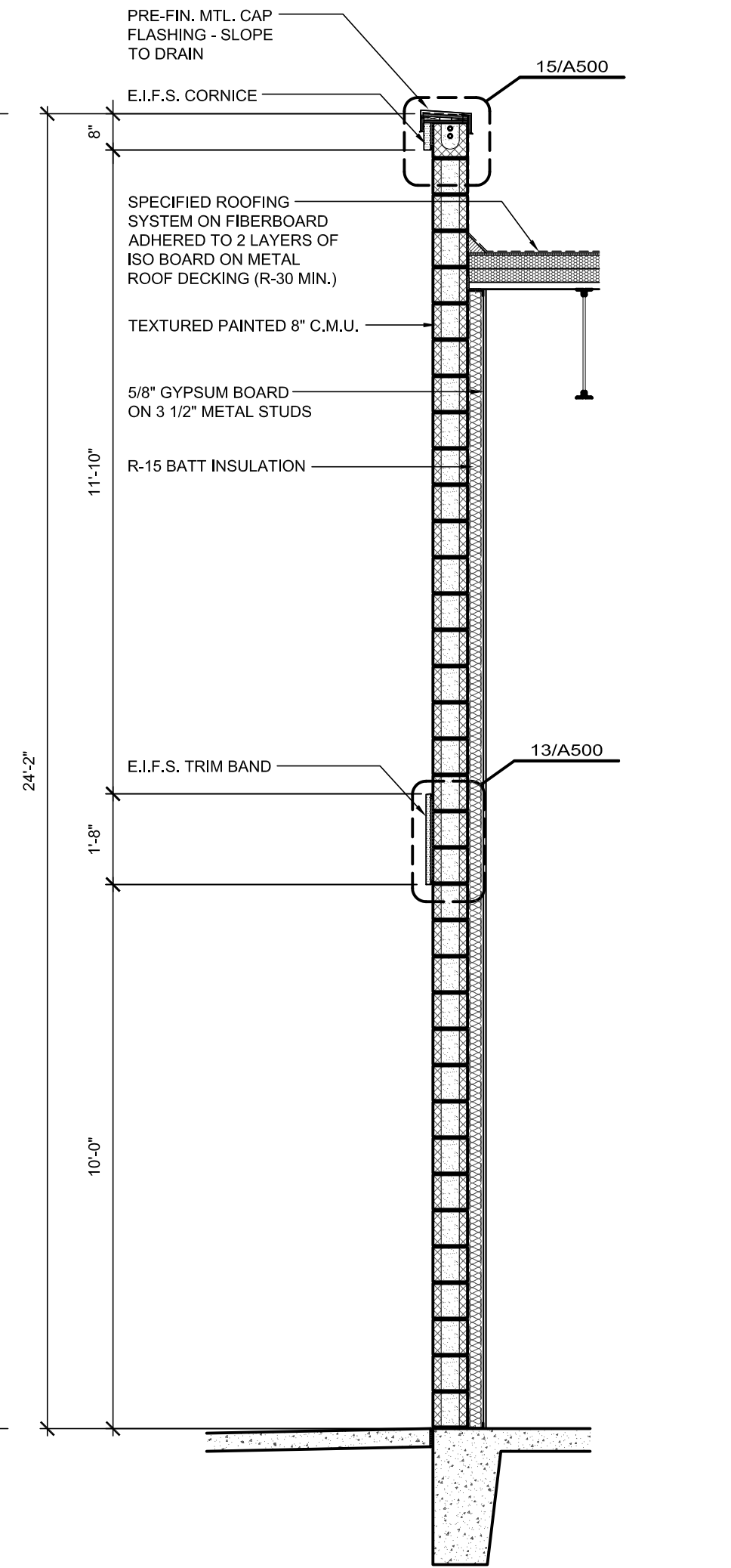
7B PARAPET SECTION  
SCALE: 3/8" = 1'-0"



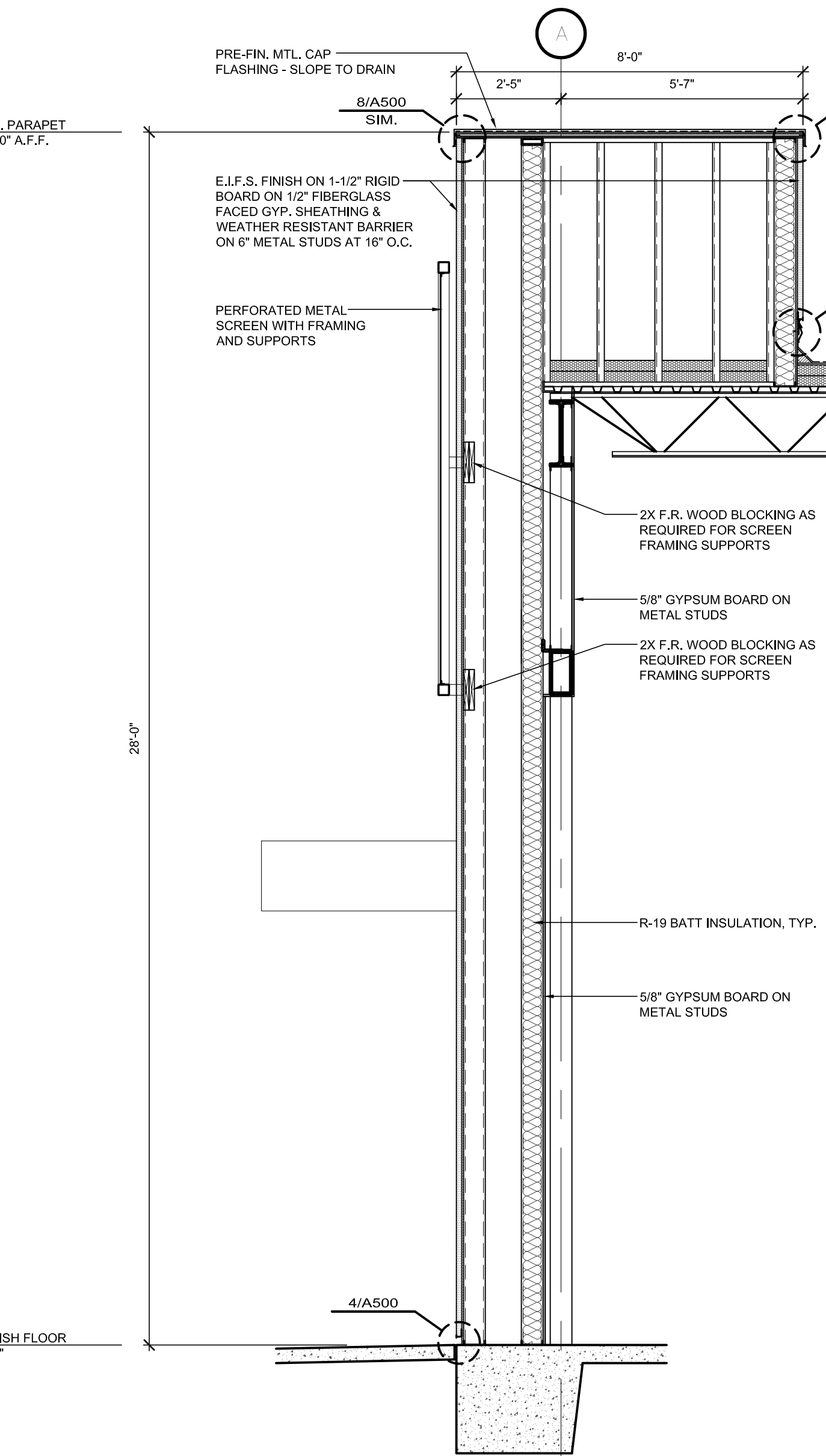
6 WALL SECTION  
SCALE: 3/8" = 1'-0"



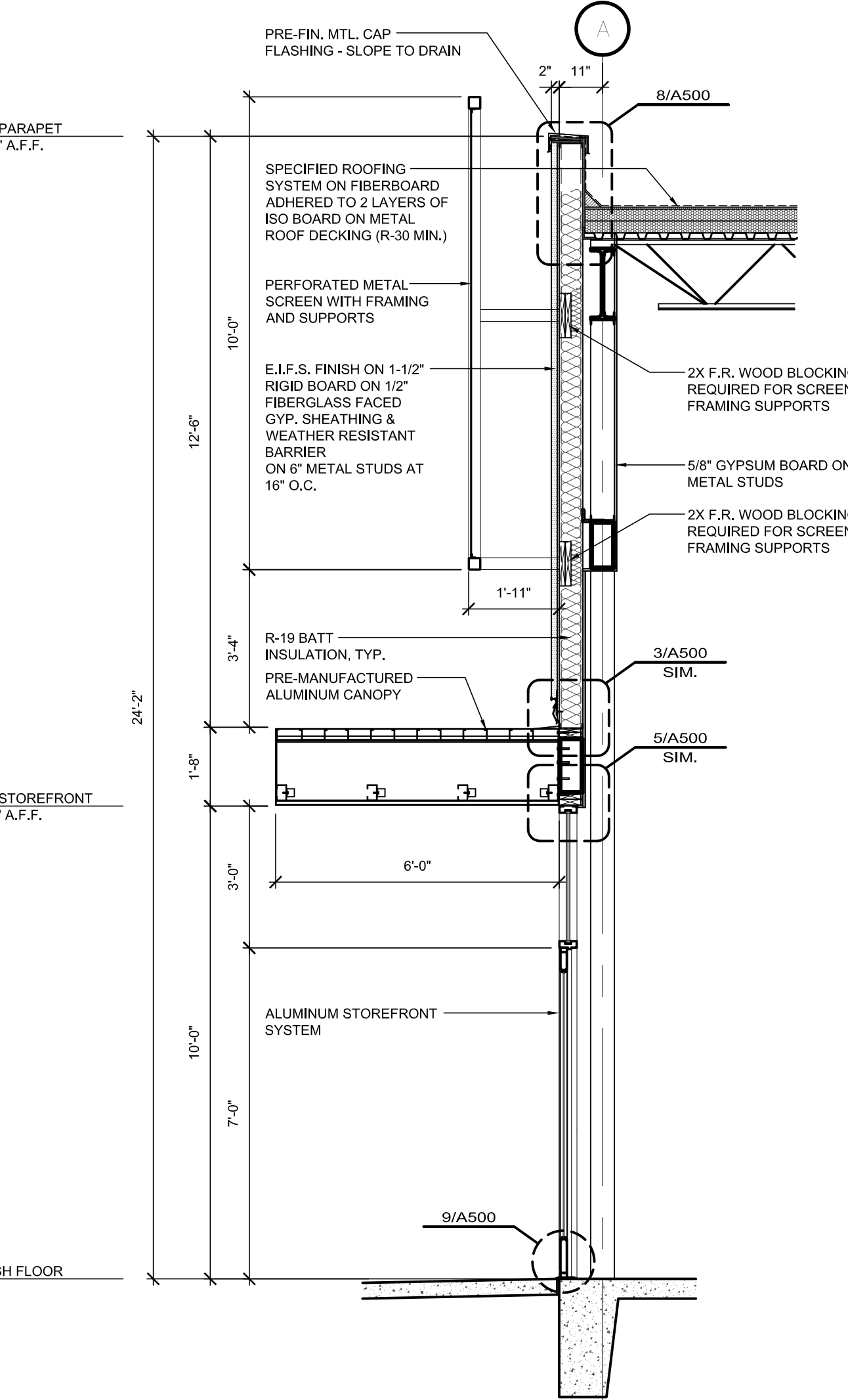
5 WALL SECTION  
SCALE: 3/8" = 1'-0"



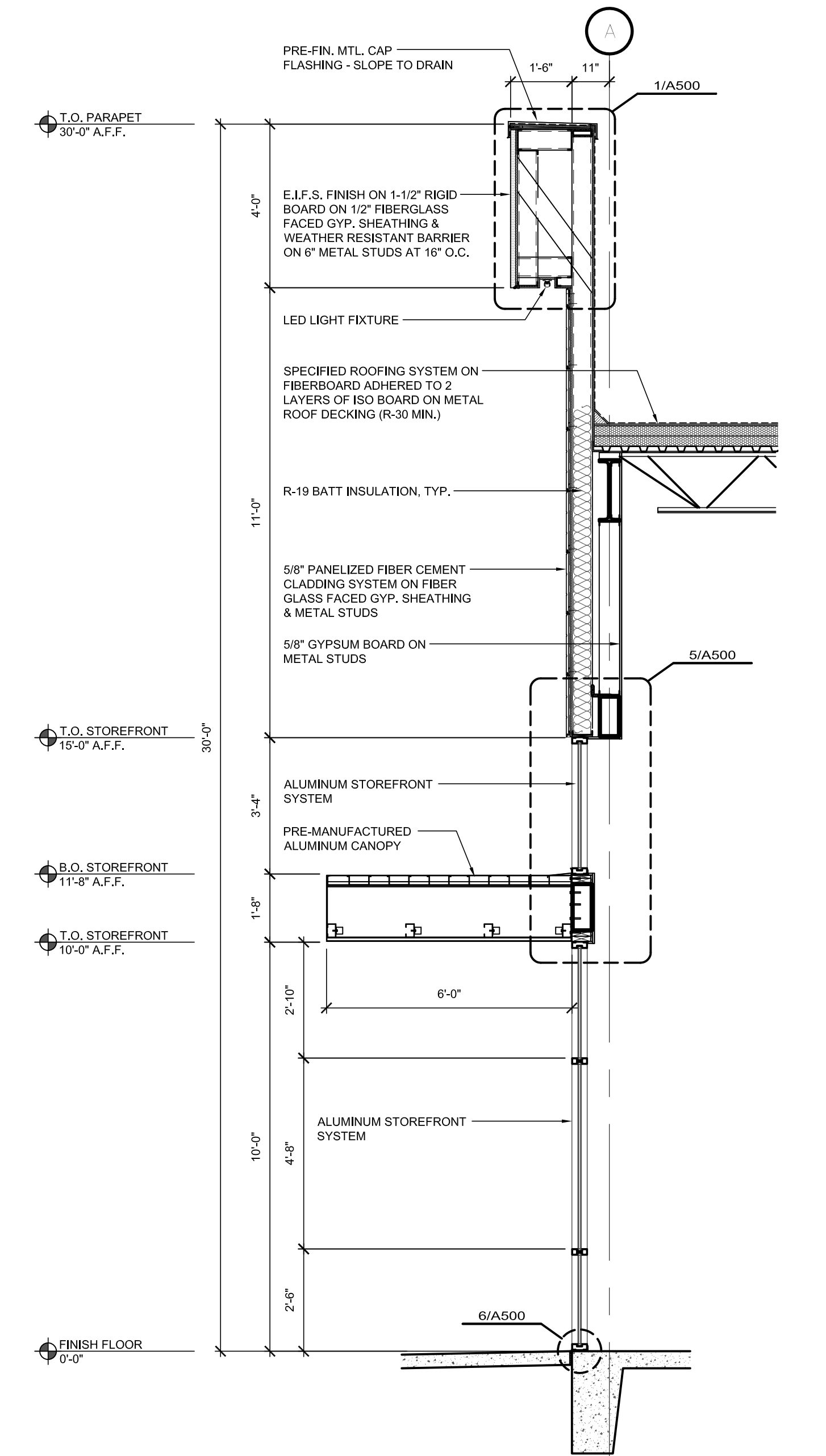
4 WALL SECTION  
SCALE: 3/8" = 1'-0"



3 WALL SECTION  
SCALE: 3/8" = 1'-0"



2 WALL SECTION  
SCALE: 3/8" = 1'-0"



1 WALL SECTION  
SCALE: 3/8" = 1'-0"

02/13/2019  
PERMIT BID ISSUE

02/13/2019  
DATE

ARCHITECTS  
Member American Institute of Architects

200445 State Hwy 249, Suite 200  
Spring, Texas 77079  
832/978-9532 Fax 832/978-9240

CDA  
Architects

ASHTON GRAY  
DEVELOPMENT

WALL SECTIONS

10,720 SF Retail Shell  
SPRING STUEBNER @ SPRING PLAZA  
SPRING, TEXAS 77389

A300

SCALE AS NOTED  
PROJECT 19027  
DATE 01/31/19  
SHEET NO.